

## Pneumatic Quick Couplings

## Accessories

### Blow Guns (Controlled Pressure)

#### Features

- Parker Controlled Pressure Blow Guns meet OSHA requirements (section 29 CFR 1910.242 paragraph b), and directive #100-1. "Compressed air shall not be used for cleaning purposes except where reduced to less than 30 psi, and then only with effective chip guarding and personal protective equipment."

- Parker Controlled Pressure Blow Guns have a black epoxy coated zinc body and vented nozzles to prevent pressure build-up when dead ending occurs up to 150 psi.



#### Description

**410-S** – Parker Controlled Pressure Blow Guns features thumb lever valve actuator and brass nozzle. Inlet port is 1/4" NPT.

#### Specifications

Part No.	Maximum Pressure	Wt. (LBZ P/Piece)
410-S	150 PSI.	0.50
410-SV	150 PSI	0.53
415-S	150 PSI	0.48



**410-SV** – Parker Venturi Nozzle Controlled Pressure Blow Gun with thumb lever valve and large venturi side ports for high volume flow. Inlet port is 1/4" NPT.



**415-S** – Parker Controlled Pressure Blow Guns features push button valve actuator and brass nozzle. Inlet port is 1/4" NPT.



**Part No. 400-S-TIP**  
Blow Gun  
Replacement Tip

## Accessories

### Blow Guns (Full Pressure)

The following Parker Blow Guns must have a pressure regulator setting below 30 psi to conform to OSHA safety requirements 29 CFR 1910.242 Paragraph b.



#### Description

**410** – Parker two way thumb lever valve has a zinc body with 1/4" NPT inlet and 1/8" NPSF outlet.

#### Specifications

Part No.	Maximum Pressure	Wt. (LBZ P/Piece)
410	150 PSI	0.48
410-N	150 PSI	0.51
415-N	150 PSI	0.49

**Note:** Standard Gun without nozzle.



**410-N** – Parker thumb lever style Blow Gun features a zinc body, brass nozzle, and 1/4" NPT female inlet.



**415-N** – Parker Blow Gun features a push button style actuator, zinc body with a brass nozzle and 1/4" NPT female inlet.

## Pneumatic Quick Couplings

## Accessories

### BG Series



### Description

Made from impact resistant plastic, BG Series blow guns are durable and versatile. Extended nozzles allow air to be directed where it is required. The pistol grip trigger allows greater control over the amount of air delivered. Combined, these two features provide superior performance in a light weight, ergonomically designed package.

Nozzles are available in short and extended versions and most models meet OSHA directives on the use of compressed air for cleaning purposes. OSHA directive #100-1 states that "when dead ending occurs a static pressure at the main orifice shall not exceed 30 psi." For those blow guns that do not meet this requirement, OSHA requires that "compressed air shall not be used for cleaning purposes except where reduced to less than 30 psi, and then only with effective chip guarding and personal protective equipment" (section 29 CFR 1910.242 paragraph b). Please refer to the blow gun descriptions below for compatibility with OSHA directive #100-1.

Nozzle configurations are designed for maximum flexibility. Applications with special requirements may find the BG443-NBL with a 1/8" NPT fitting convenient for adapting existing nozzles or extra-long extensions. For information on specials or made-to-order blow gun nozzles, please contact the Quick Coupling Division.

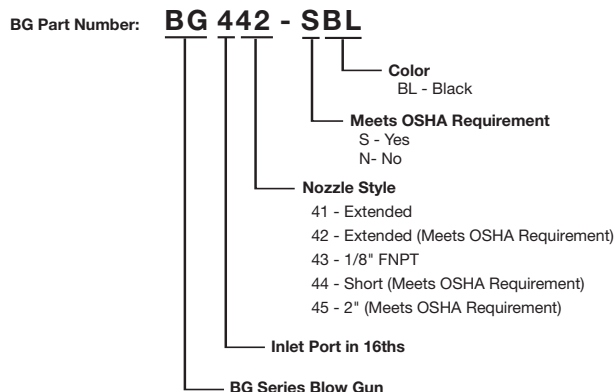
### Features

- Easy to control variable flow pistol grip trigger.
- Nozzles available that meet OSHA requirements.
- Lightweight ergonomical design.
- Bodies are constructed of impact resistant plastic.

### Specifications

Rated Pressure (PSIZ)	175 psi
Temperature Range	to 120° F
Inlet Port	1/4" NPTF

### How to Order



Part Number	Nozzle	Meets OSHA Requirements
BG441-NBL	Extended	No



Part Number	Nozzle	Meets OSHA Requirements
BG442-SBL	Extended	Yes



Part Number	Nozzle	Meets OSHA Requirements
BG443-NBL	1/8" Female NPT	No



Part Number	Nozzle	Meets OSHA Requirements
BG444-SBL	Vortec	Yes



Part Number	Nozzle	Meets OSHA Requirements
BG445-SBL	Two Inch	Yes*

\* 90 PSI MAX Inlet

## Pneumatic Quick Couplings

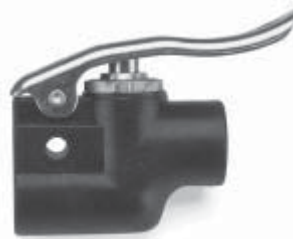
### Accessories Two-Way Valves

#### Features

- Parker two-way valves are designed for use in air or liquid service.
- Bodies are constructed of black molded polypropylene.
- The valve cartridge components are machined from brass and stainless steel for corrosion resistance and long life.
- Nitrile stem seals are standard. Add suffix Y for optional fluorocarbon seal. Consult factory for price and delivery.

#### Specifications

<b>Rated Pressure (PSIZ)</b>	175 @ 70° F	120 @ 180° F
<b>Temperature Range</b>	-20° to 180° F	



#### Description

**P410B** – Two way valve with forward positioned lever handle. Inlet and outlet ports are 1/4" NPT.



**P415B** – Two way valve features push button style valve actuator. Inlet and outlet ports are 1/4" NPT.



**P420B** – Reverse oriented lever handle is used in carpet cleaning applications which utilize tube mounted valves. Inlet and outlet ports are 1/4".