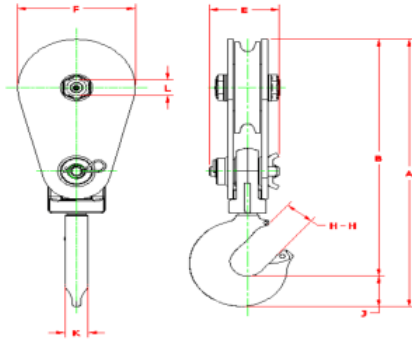


**Single Sheave With Hook**



MODEL NO.	WIRE ROPE SIZE	Max. Allow Optional	WT. w/o LAT	WT. w/ LAT	A	B	E	F	H Without Latch	H With Latch	J	K	L
SB 2S 3BH 4 MT	5/16 – 3/8	3/8	5	5	10.48	9.48	2.72	3.20	1.09	1.03	1.00	0.75	0.75
SB 4S 4BH	3/8 – 1/2	3/4	14	15	14.79	12.94	3.63	4.76	1.41	1.28	1.85	1.13	1.00
SB 4S 4RH	3/8 – 1/2	3/4	14	15	14.79	12.94	3.63	4.76	1.41	1.28	1.85	1.13	1.00
SB 4S 6BH	3/8 – 1/2	3/4	19	19	16.97	15.12	3.63	6.26	1.41	1.28	1.85	1.13	1.00
SB 4S 6RH	3/8 – 1/2	3/4	19	19	16.97	15.12	3.63	6.26	1.41	1.28	1.85	1.13	1.00
SB 4S 8BH	3/8 – 1/2	3/4	24	25	18.97	17.12	3.63	8.26	1.41	1.28	1.85	1.13	1.00
SB 4S 8RH	3/8 – 1/2	3/4	24	25	18.97	17.12	3.63	8.26	1.41	1.28	1.85	1.13	1.00
SB 4S 10BH	3/8 – 1/2	3/4	33	33	21.03	19.18	3.63	10.26	1.41	1.28	1.85	1.13	1.25
SB 4S 10RH	3/8 – 1/2	3/4	33	34	21.03	19.18	3.63	10.26	1.41	1.28	1.85	1.13	1.25
SB 4S 12BH	3/8 – 1/2	7/8	40	40	23.03	21.18	3.63	12.26	1.41	1.28	1.85	1.13	1.25
SB 4S 12RH	3/8 – 1/2	7/8	42	43	23.03	21.18	3.63	12.26	1.41	1.28	1.85	1.13	1.25
SB 4S 14BH	3/8 – 1/2	3/4	49	50	25.03	23.18	3.63	14.26	1.41	1.28	1.85	1.13	1.25
SB 4S 14RH	3/8 – 1/2	3/4	51	52	25.03	23.18	3.63	14.26	1.41	1.28	1.85	1.13	1.25
8 MT													
SB 8S 6BH	5/8 – 3/4	1	27	27	19.08	17.02	4.02	6.24	1.88	1.53	2.06	1.38	1.50
SB 8S 6RH	5/8 – 3/4	1	30	30	19.08	17.02	4.02	6.24	1.88	1.53	2.06	1.38	1.50
SB 8S 8BH	5/8 – 3/4	7/8	35	35	21.08	19.02	4.02	8.24	1.88	1.53	2.06	1.38	1.50
SB 8S 8RH	5/8 – 3/4	7/8	34	35	21.08	19.02	4.02	8.24	1.88	1.53	2.06	1.38	1.50
SB 8S 10BH	5/8 – 3/4	3/4	41	41	23.08	21.02	4.02	10.24	1.88	1.53	2.06	1.38	1.50
SB 8S 10RH	5/8 – 3/4	3/4	40	41	23.08	21.02	4.02	10.24	1.88	1.53	2.06	1.38	1.50
SB 8S 12BH	5/8 – 3/4	7/8	52	53	25.11	23.05	4.02	12.18	1.88	1.53	2.06	1.38	1.50
SB 8S 12RH	5/8 – 3/4	7/8	55	55	25.11	23.05	4.02	12.18	1.88	1.53	2.06	1.38	1.50
SB 8S 14BH	5/8 – 3/4	7/8	64	64	27.11	25.05	4.02	14.18	1.88	1.53	2.06	1.38	1.50
SB 8S 14RH	5/8 – 3/4	7/8	64	65	27.11	25.05	4.02	14.18	1.88	1.53	2.06	1.38	1.50
12 MT													
SB 12S 6BH	3/4 – 7/8	1 1/8	46	46	21.44	18.87	4.85	6.68	2.47	1.75	2.57	1.63	2.00
SB 12S 6RH	3/4 – 7/8	1 1/8	45	47	21.44	18.87	4.85	6.68	2.47	1.75	2.57	1.63	2.00
SB 12S 8BH	3/4 – 7/8	1 1/8	56	57	23.00	20.43	4.85	8.24	2.47	1.75	2.57	1.63	2.00
SB 12S 8RH	3/4 – 7/8	1 1/8	56	57	23.00	20.43	4.85	8.24	2.47	1.75	2.57	1.63	2.00
SB 12S 10BH	3/4 – 7/8	1 1/8	69	70	25.00	22.43	4.85	10.24	2.47	1.75	2.57	1.63	2.00
SB 12S 10RH	3/4 – 7/8	1 1/8	71	72	25.00	22.43	4.85	10.24	2.47	1.75	2.57	1.63	2.00
SB 12S 12BH	3/4 – 7/8	1 1/8	90	91	27.00	24.43	4.85	12.24	2.47	1.75	2.57	1.63	2.00
SB 12S 12RH	3/4 – 7/8	1 1/8	87	88	27.00	24.43	4.85	12.24	2.47	1.75	2.57	1.63	2.00
SB 12S 14BH	3/4 – 7/8	1 1/8	103	104	29.00	26.43	4.85	14.24	2.47	1.75	2.57	1.63	2.00
SB 12S 14RH	3/4 – 7/8	1 1/8	102	103	29.00	26.43	4.85	14.24	2.47	1.75	2.57	1.63	2.00
SB 12S 16BH	3/4 – 7/8	7/8	125	125	31.16	28.59	4.85	16.36	2.47	1.75	2.57	1.63	2.00
SB 12S 16RH	3/4 – 7/8	7/8	130	131	31.16	28.59	4.85	16.36	2.47	1.75	2.57	1.63	2.00
15 MT													
SB 15S 8BH	3/4 – 7/8	1 1/8	63	64	23.66	20.91	4.85	8.24	2.38	2.09	2.75	1.94	2.50
SB 15S 8RH	3/4 – 7/8	1 1/8	61	62	23.66	20.91	4.85	8.24	2.38	2.09	2.75	1.94	2.00

SB 15S 10BH	3/4 – 7/8	1 1/8	76	77	25.66	22.91	4.85	10.24	2.38	2.09	2.75	1.94	2.50
SB 15S 10RH	3/4 – 7/8	1 1/8	85	86	25.66	22.91	4.85	10.24	2.38	2.09	2.75	1.94	2.00
SB 15S 12BH	3/4 – 7/8	1 1/8	96	97	27.66	24.91	4.85	12.24	2.38	2.09	2.75	1.94	2.50
SB 15S 12RH	3/4 – 7/8	1 1/8	92	93	27.66	24.91	4.85	12.24	2.38	2.09	2.75	1.94	2.00
SB 15S 14BH	3/4 – 7/8	1 1/8	107	108	29.66	26.91	4.85	14.24	2.38	2.09	2.75	1.94	2.50
SB 15S 14RH	3/4 – 7/8	1 1/8	107	108	29.66	26.91	4.85	14.24	2.38	2.09	2.75	1.94	2.00
SB 15S 16BH	3/4 – 7/8	7/8	135	136	31.82	29.07	4.85	16.36	2.38	2.09	2.75	1.94	2.50
SB 15S 16RH	3/4 – 7/8	7/8	135	136	31.82	29.07	4.85	16.36	2.38	2.09	2.75	1.94	2.00
20 MT													
SB 20S 8BH	1 – 1 1/8	1 1/2	80	81	26.15	23.27	5.83	8.24	2.36	2.04	2.88	2.25	2.25
SB 20S 8RH	1 – 1 1/8	1 1/2	80	82	26.15	23.27	5.83	8.24	2.36	2.04	2.88	2.25	2.25
SB 20S 10BH	1 – 1 1/8	1 1/2	94	95	28.15	25.27	5.83	10.24	2.36	2.04	2.88	2.25	2.25
SB 20S 10RH	1 – 1 1/8	1 1/2	96	97	28.15	25.27	5.83	10.24	2.36	2.04	2.88	2.25	2.25
SB 20S 12BH	1 – 1 1/8	1 1/4	104	105	30.15	27.27	5.83	12.24	2.36	2.04	2.88	2.25	2.25
SB 20S 12RH	1 – 1 1/8	1 1/4	103	105	30.15	27.27	5.83	12.24	2.36	2.04	2.88	2.25	2.25
SB 20S 14BH	1 – 1 1/8	1 3/8	115	117	32.15	29.27	5.83	14.24	2.36	2.04	2.88	2.25	2.25
SB 20S 14RH	1 – 1 1/8	1 3/8	121	122	32.15	29.27	5.83	14.24	2.36	2.04	2.88	2.25	2.25
SB 20S 16BH	1 – 1 1/8	1 1/8	146	148	34.15	31.27	5.83	16.24	2.36	2.04	2.88	2.25	2.25
SB 20S 16RH	1 – 1 1/8	1 1/8	149	150	34.15	31.27	5.83	16.24	2.36	2.04	2.88	2.25	2.25
SB 20S 18BH	1 – 1 1/8	1 1/8	171	172	36.15	33.27	5.83	18.24	2.36	2.04	2.88	2.25	3.00
SB 20S 18RH	1 – 1 1/8	1 1/8	175	177	36.15	33.27	5.83	18.24	2.36	2.04	2.88	2.25	3.00
30 MT													
SB 30S 20BH	1 1/8 – 1 1/4	1 3/8	297	299	44.36	41.37	5.80	20.24	3.31	2.90	2.99	3.50	3.50
SB 30S 20RH	1 1/8 – 1 1/4	1 3/8	302	304	44.36	41.37	5.80	20.24	3.31	2.90	2.99	3.50	3.50
SB 30S 24BH	1 1/8 – 1 1/4	1 3/8	371	373	48.36	45.37	5.80	24.24	3.31	2.90	2.99	3.50	3.50
SB 30S 24RH	1 1/8 – 1 1/4	1 3/8	376	378	48.36	45.37	5.80	24.24	3.31	2.90	2.99	3.50	3.50

#### STANDARD FEATURES

- RUGGED AND RELIABLE
- EASY-OPEN SIDE PLATES
- 4 TO 1 DESIGN FACTOR
- METRIC RATED
- LARGE HAND NUTS
- RETAINER ON LATCH PIN
- ANCHOR SHACKLE WITH RETAINER PIN
- BRONZE BUSHING

#### OPTIONS

- ROLLER BEARINGS
- PROOF LOAD
- MARINE EPOXY PAINT
- HEAVY DUTY J-LATCH
- LARGER SIZES