

HENSLEY® STYLE



X290 Standard



X156-T Tiger



X330-WT Twin Tiger

Hensley® Style Parabolic Bucket Teeth

Part No.	Description	Style	Weight
136715	X156	Short	1.9
134785	X156-L	Long	2.0
134759	X156-H	Heavy Duty Long	2.8
134786	X156-T	Tiger	1.9
134787	X156-WT	Twin Tiger	3.2
210008	X160	Standard	3.5
210009	X220	Standard	6.8
210011	X220-T	Tiger	6.2
210013	X220-WT	Twin Tiger	8.6
210015	X290	Standard	8.1
210017	X290-T	Tiger	8.1
210019	X290-WT	Twin Tiger	9.9
162391	X290-F	Flare	12.5
210021	X310	Standard	7.7
210023	X310-T	Tiger	11.2
210025	X310-WT	Twin Tiger	12.6
210027	X330	Standard	11.6

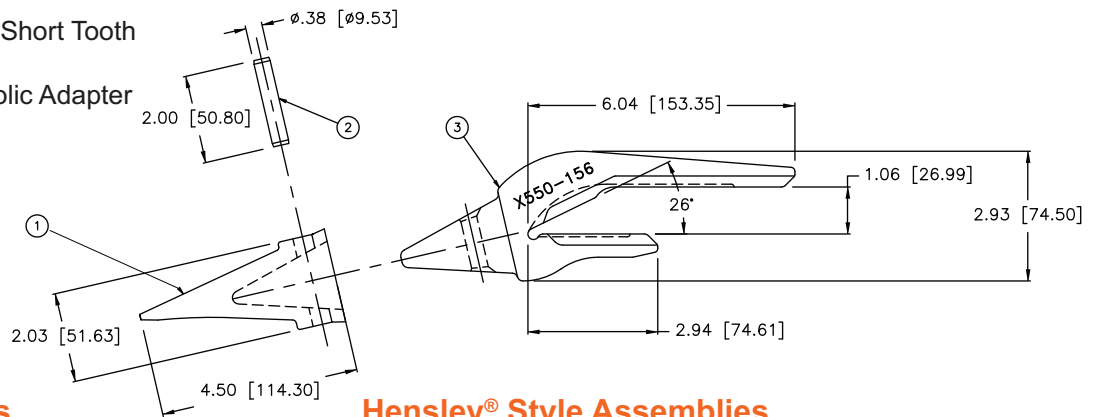
Hensley® Style Parabolic Bucket Teeth

Part No.	Description	Style	Weight
210029	X330-T	Tiger	11.2
210031	X330-WT	Twin Tiger	14.7
162392	X330-F	Tiger	19.6
210075	X370	Standard	18.5
210079	X370-T	Tiger	18.2
210081	X370-WT	Twin Tiger	21.0
210033	X400	Standard	16.0
210035	X400-T	Tiger	15.0
210037	X400-WT	Twin Tiger	24.1
210085	X410	Standard	21.7
210087	X410-T	Tiger	22.6
210089	X410-WT	Twin Tiger	27.6
210091	X450	Standard	28.2
210095	X450-T	Tiger	31.3
210097	X450-WT	Twin Tiger	37.5
210099	X475	Standard	34.8
210101	X475-T	Tiger	32.0
210103	X475-WT	Twin Tiger	37.3

X550-156S Backhoe Assembly

(138225) Contains:

1. X156 Parabolic Short Tooth
2. P-156 Pin
3. 550x156 Parabolic Adapter



Hensley® Style Assemblies

Part No.	Description
136633	156-62 156-H (161929, 134759, 134788)
136632	156-75 156-H (161930, 134759, 134788)
138229	TB-1001-156-L (138252, 134785, 134788)
136622	156-62 Backhoe (161929, 136715, 134788)
136639	156-62 156-S (161929, 136715, 134788)

Hensley® Style Assemblies

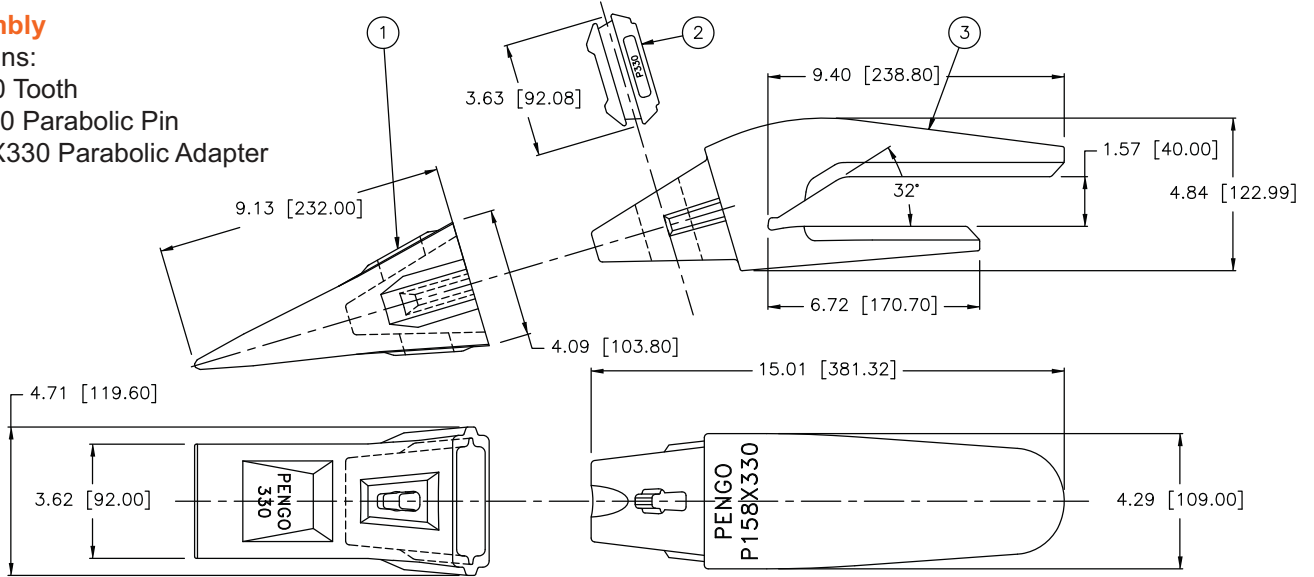
Part No.	Description
138229	TB1001-156-L (138252, 134785, 134788)
136637	2740ZW-156-L (161918, 134785, 134788)
138258	X550-156S Backhoe (138241, 136715, 134788)
138259	X681-156S Loader (138242, 136715, 134788)

HENSLEY® STYLE

158x330 Assembly

(210162) Contains:

1. 210027 X330 Tooth
2. 210055 P-330 Parabolic Pin
3. 210162 158X330 Parabolic Adapter



158x290 Assembly

(210158) Contains:

1. 210015 X290 Tooth
2. 210051 P-290 Parabolic Pin
3. 210158 158X290 Parabolic Adapter

Hensley® Style Weld-On Adapters

Part No.	Description	Type	Weight
161929	156-62 5/8" Strap 1/2	4	3.5
161930	156-75 3/4" Strap 1/2	4	3.5
161918	2740-Z-156 1" Strap 1/2	4	3.9
138241	550 X 156 1" Strap 1/2	4	4.5
138242	681-156 Top Strap	3	4.2
161900	834-156 Bottom Strap	2	4.5
210150	835X156 5/8" Bottom Strap	2	3.5
138252	TB1001-156 Toothbar	5	4.7
210152	658X160 1" Strap 1/2	4	10.6
210154	109X220 1-1/4"	4	16.1
210156	127X290 1-1/4"	4	21.5
210158	158X290 1-1/2"	4	22.1
210160	156X310 1-1/2"	4	20.9
210162	158X330 1-1/2"	4	34.3
210164	940X370 2"	4	36.4
210166	802X400 2"	4	48.0
210168	940X410 2"	4	43.4
210170	303X450 2-1/2"	4	69.0
210172	988X475 2"	4	86.3

Hensley® Style Fasteners

Part No.	Description
134788	P-156 Roll Pin
210053	P-160 160/220/310 Roll Pin
210051	P-290 290 Parabolic
210055	P-330 330 Parabolic
210056	P-370 370 Parabolic
210057	P-400-HD 400 Parabolic
210060	P-410 410 Parabolic
210058	P-450 450 Parabolic
210059	P-475 475 Parabolic

Use 5/16" Punch to Remove P-156 Roll Pin

All manufacturer's names, numbers, symbols and descriptions are for reference purposes only, and it is not implied that any part listed is the product of these manufactures.