

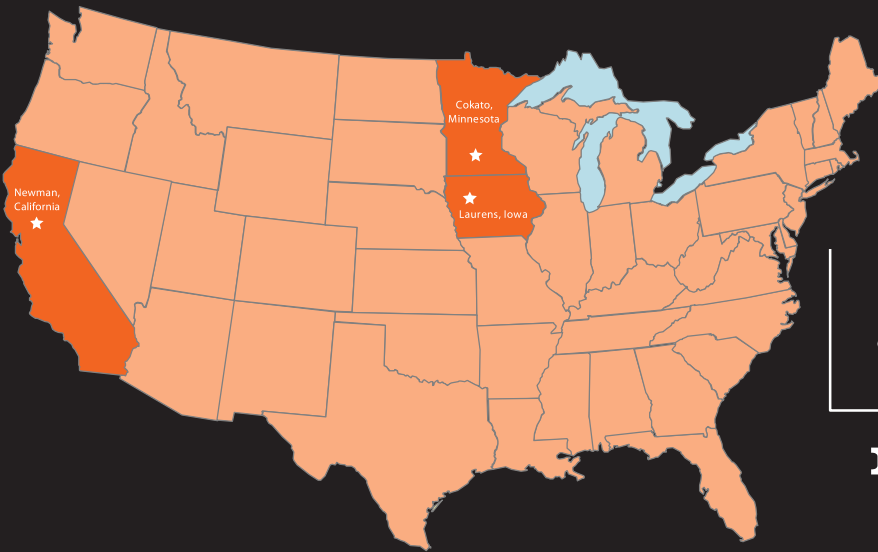


PALADIN UTILITY



*We're Breaking
New Ground!*

GENERAL PURPOSE AUGERS & Parts



PALADIN UTILITY

Pengo was established in 1950 near San Francisco, California to design and manufacture utility industry equipment to pull and tension high voltage transmissions lines. The company later developed augers to drill efficiently in conditions, which, at the time, were considered extremely difficult. Within a few years, Pengo held over 169 patents, most of which are still the basis for current drilling industry standards. The Aggressor™ auger line is the latest patented product that has been chosen by the leading dealers, distributors, and OEM (Original Equipment Manufacturers).

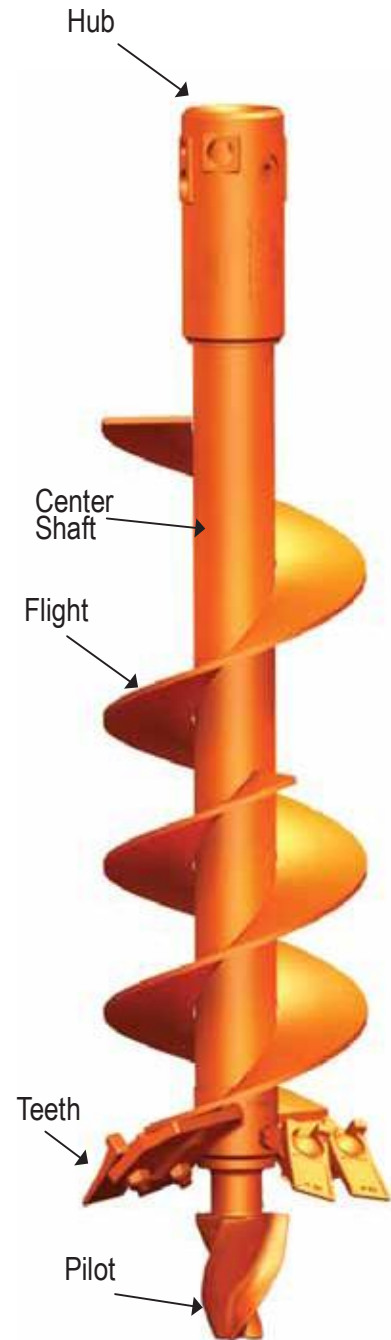
Today, Pengo is the largest manufacturer of augers and related wear parts in the world, serving the utility, construction, agriculture, foundation, and major worldwide OEM customers. Our products are available through a network of over 500 dealers and OEM's. The product line has expanded to include forged, cast and fabricated bucket teeth in addition to a line of mini-loader attachments and foundation drilling tools and components. Pengo acquired CAM Manufacturing in May 2004. This added the conveyor screw product line and the ability to manufacturer heavy duty helical and sectional lighting.

With manufacturing and distribution points in California, Iowa, and Minnesota, we have several locations to serve you. Please call Sales at (800)599-0211 to talk with our representatives and see why at Pengo we are proud to say "We're Breaking New Ground."

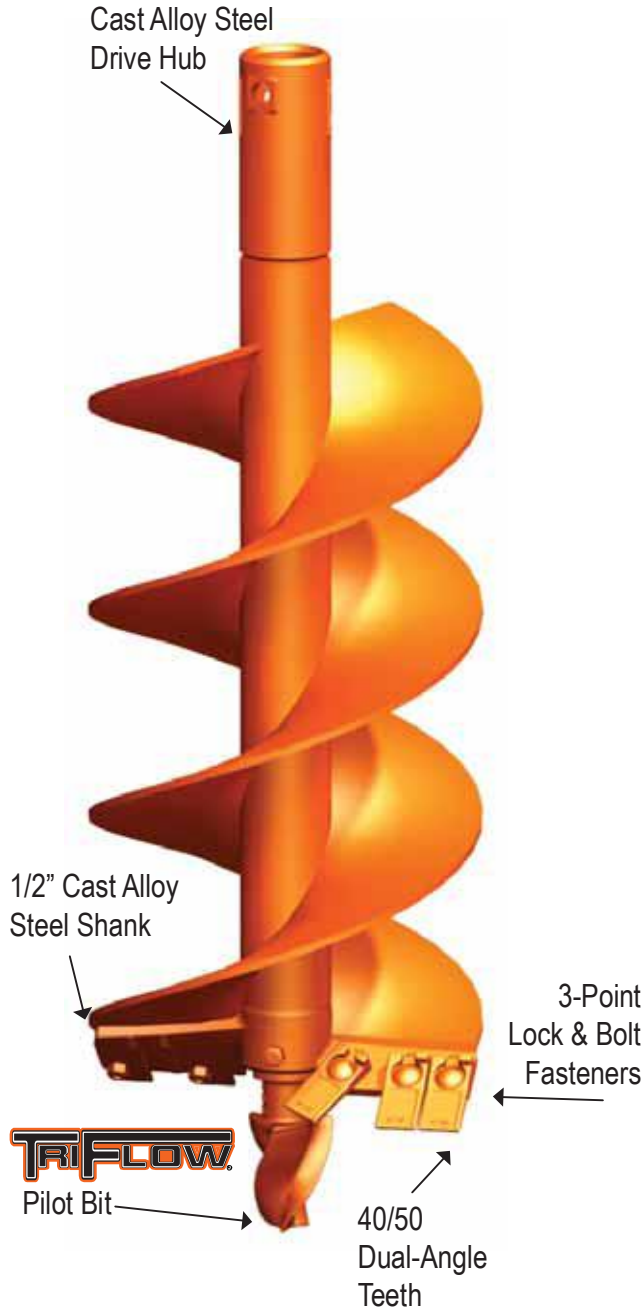


AUGER INFORMATION CHART

	Aggressor®	BoRH™	Landscape Aggressor®	TriMax®	Rock Ripper®	Step Rock Augers	Severe Rock Ripper	CS Augers	HH Augers
FLIGHT TYPE									
Single				•	•	•	•	•	
Double	•		•	•					
Semi-Double	•		•						•
FLIGHT THICKNESS									
1/8"								•	•
3/16"									
1/4"			•						
5/16"	•			•	•	•			
3/8"									
1/2"							•		
CENTER SHAFT									
1" OD x .109" W									•
1-5/8" OD x .140" W								•	
2-3/8" OD x .154" W									
2-7/8" OD x .203" W	•		•			•			
3-1/2" OD x .300" W	•			•	•	•	•		
AUGER HEAD TYPE									
Fabricated					•	•	•	•	
One Piece Casting	•		•	•	•		•		
PILOT BIT STYLE									
Part of Head		•							•
SB-25								•	
SB-30									
SB-35									
Tri-Flow 350	•		•	•					
API or New 1-3/4" Sq.					•		•		
375-TCH						•			
TEETH									
35 Series (Fas-N-Lok™)				•					•
40/50	•		•						
RL08					•		•		
CB-10						•			
HUB (Connection)									
7/8" Square								•	
1" Round								•	
1" Square									•
1-3/8" Hex								•	
Stihl								•	
1-14" Square (Clip)								•	
2" Round	•		•	•	•				
2" Hex	•		•	•	•	•	•		
2-9/16" Round	•		•	•	•				



For Use With:
Skid Steers,
Backhoes,
and
Mini Excavators

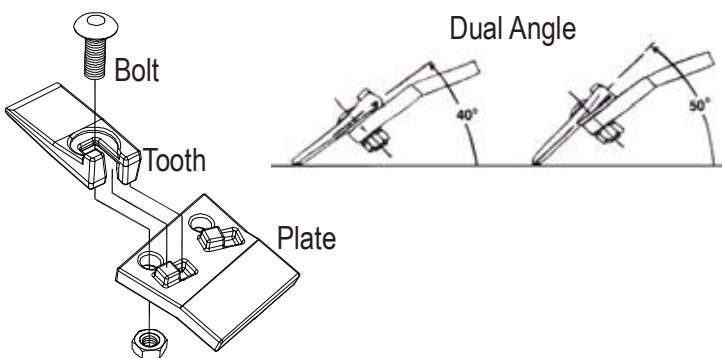


FEATURES

- Teeth: Optimize your drilling efficiency with 40/50 dual angle teeth. Featuring Pengo's Triple Locking System that allows your teeth to stay secured at either the 40° or 50° angle.
- Forge Alloy Steel teeth available in:
 - Standard—Standard drilling
 - Hardface—Abrasive soil/impact
 - Carbide—Rock/Abrasive soil
- Pilot Bit: Triflow®
 - Three, not two, drill points - 50% longer wear!
 - Drive won't break off - Guaranteed 1 year.
 - Better drilling stability.
- Compatibility: Teeth and TriFlow® wear parts
- Lengths: 49" and 51"
- Flights: Double — 5/16" Thick
- 3-Point Lock Lug and Bolt
- Fasteners
- Hubs: Round (2" and 2-9/16") Hex (2")

AGGRESSOR®

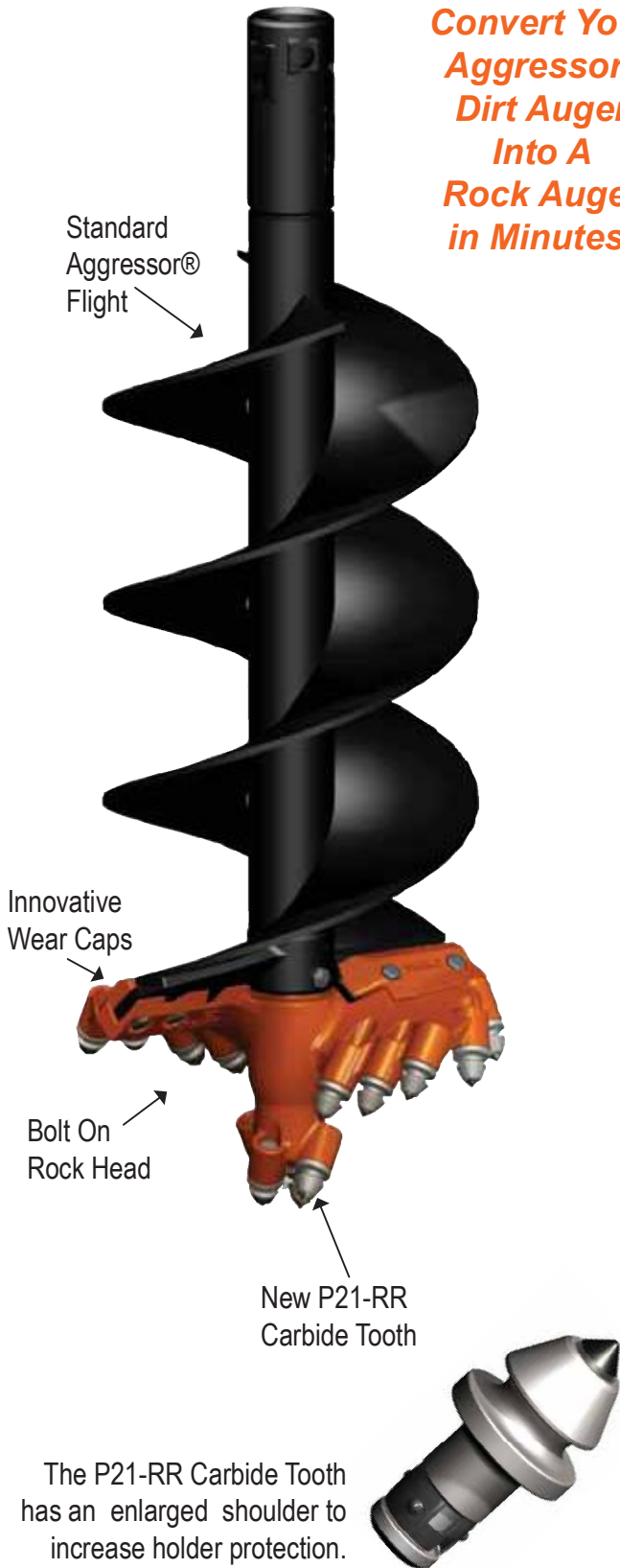
		2-9/16" Rnd	2" Rnd	2" Hex
6"	AR-49	135534	135570	135546
9"	AR-49	135535	135571	135547
12"	AR-51	135536	135572	135548
15"	AR-51	135537	135573	135549
18"	AR-51	135538	135574	135550
24"	AR-51	135539	135575	135551
30"	AR-51	135540	135576	135552
36"	AR-51	135541	135577	135553
9/18	AR-51	135542	135578	135554
12/24	AR-51	135543	135579	135555
15/30	AR-51	135544	135580	135556
18/36	AR-51	135545	135581	135557



BOLT ON ROCK HEAD — BoRH™



Convert Your Aggressor® Dirt Auger Into A Rock Auger in Minutes!



FEATURES

- Teeth: The NEW P21-RR Carbide Bullet Tooth
- Pilot Bit:
- Compatibility: Pengo Aggressor®
- Diameters: 6", 9", 12", 15", 18", and 24"
- Innovative Wear Caps



BoRH™ Kits

137991	6" BoRH Auger Kit
137992	9" BoRH Auger Kit
137993	12" BoRH Auger Kit
137994	15" BoRH Auger Kit
137995	18" BoRH Auger Kit
137996	24" BoRH Auger Kit
137990	P21-RR Carbide Tooth

BoRH Bolt On Rock Head Kits Contain:
Auger Boring Head & Pilot, Wear Caps,
Bullet Style Carbide Teeth, Hardware

Please note the BoRH is compatible with the new and improved Pengo Aggressor only.

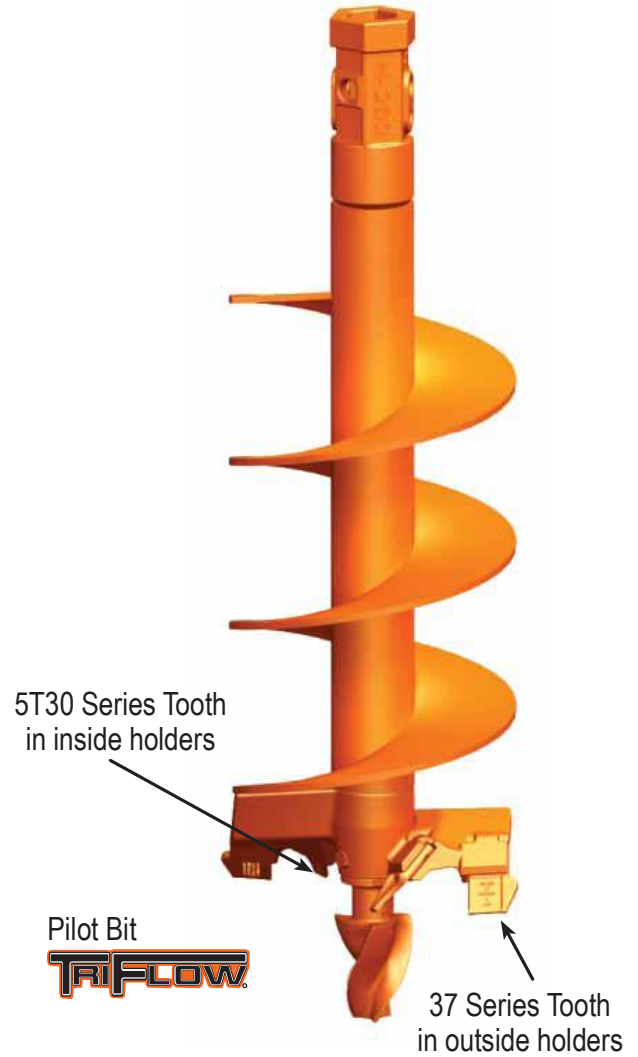
For Use With:
Skid Steers,
Backhoes,
and Mini Excavators



US Patents: 5,476,149

FEATURES

- For use in heavy-duty drilling conditions
- Teeth:
 - 37 Standard in outside holders for increased protection of auger head
 - 5T30 Chisel Teeth Standard in inside holders for increased penetration
 - 35 Series Fas-N-Lok™ also compatible and are available in:
 - Standard-Standard drilling
 - Hardface-Abrasive soil/impact
 - Carbide-Rock/Abrasive soil
- Pilot Bit: Triflow®
 - Three, not two, drill points - 50% longer wear!
 - Drive won't break off - Guaranteed 1 year.
 - Better drilling stability.
- Compatibility: 35 Series Teeth and TriFlow® wear parts
- Lengths: 42", 48", and 60"
- Flights: Single & Double Flights
- Hubs: 2" & 2-9/16" Round and 2" Hex
- Heads: Heat Treated Cast Alloy Head



Single Flight - 42" Length

	2" Rnd	2" Hex	2 9/16" Rnd
6-TM-42	101324	101318	552940
8-TM-42	102175	101319	553071
9-TM-42	101325	552960	553072
10-TM-42		552962	553073
12-TM-42	101326	552964	553074
14-TM-42		552966	553075
16-TM-42		552968	553076
18-TM-42	102188	552970	553077
20-TM-42		552972	553078
24-TM-42		552974	553079
30-TM-42		101320	553080
36-TM-42		101321	553081
42-TM-42		101322	553082
48-TM-42		101323	553083

Single Flight - 48" Length

	2" Rnd	2" Hex	2 9/16" Rnd
6-TM-48	101519	101340	553090
8-TM-48	101700	101341	553091
9-TM-48	101520	101342	553092
10-TM-48	102045	101343	553093
12-TM-48	101521	101344	553094
14-TM-48	102122	101345	553095
16-TM-48		101346	553096
18-TM-48	102046	101347	553097
20-TM-48		101348	553098
24-TM-48	102047	101349	553099
30-TM-48		101350	553100
36-TM-48		101351	553101
42-TM-48		101352	553102
48-TM-48		101353	553103

Single Flight - 60" Length

	2" Rnd	2" Hex	2 9/16" Rnd
6-TM-60	101573	553110	102225
8-TM-60		553111	
9-TM-60	101694	553112	101621
10-TM-60		553113	
12-TM-60	101695	553114	102216
14-TM-60		553115	
16-TM-60		553116	
18-TM-60		553117	
20-TM-60		553118	
24-TM-60		553119	
30-TM-60		553120	
36-TM-60		553121	
42-TM-60		553122	
48-TM-60		553123	

Double Flight - 42" Length

	2" Hex	2 9/16" Rnd
6-TM-42D	101327	553464
8-TM-42D	101328	553465
9-TM-42D	101329	553466
10-TM-42D	101330	553467
12-TM-42D	101331	553468
14-TM-42D	101332	553469
16-TM-42D	101333	553470
18-TM-42D	101334	553471
20-TM-42D	101335	553472
24-TM-42D	101336	553473
30-TM-42D	101337	553474
36-TM-42D	101338	553475
42-TM-42D	101339	553476
48-TM-42D	102133	553477



**Trimax®
Weld-On Boring Heads**

Double Flight - 48" Length

	2" Rnd	2" Hex	2 9/16" Rnd
6-TM-48D	101612	101354	553480
8-TM-48D	101613	101355	553481
9-TM-48D		101356	553482
10-TM-48D	102103	101357	553483
12-TM-48D	101617	101358	553484
14-TM-48D	102130	101359	553485
16-TM-48D		101360	553486
18-TM-48D		101361	553487
20-TM-48D		101362	553488
24-TM-48D		101363	553489
30-TM-48D		101364	553490
36-TM-48D		101365	553491
42-TM-48D		101366	553492
48-TM-48D		101367	553493

Part No.	
TMOBH-6	135813
TMOBH-8	135814
TMOBH-9	135815
TMOBH-10	135816
TMOBH-12	135817
TMOBH-14	135818
TMOBH-16	135819
TMOBH-18	135820
TMOBH-20	135821
TMOBH-24	135822
TMOBH-30	135823
TMOBH-36	135824
TMOBH-42	135825
TMOBH-48	135826



US Patents: 5,476,149

Double Flight - 60" Length

	2" Hex
10-TM-60D	101702
12-TM-60D	101703
14-TM-60D	101704
24-TM-60D	102025

LANDSCAPE AGGRESSOR®

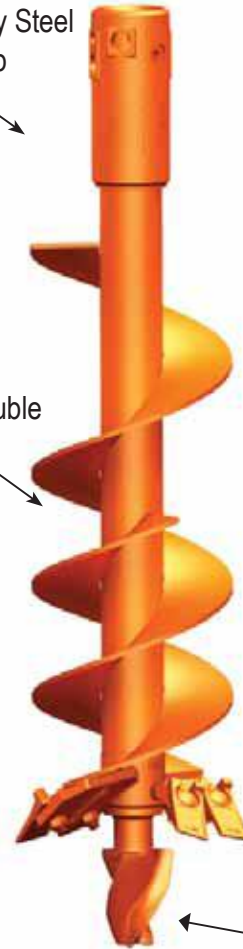
LANDSCAPE AGGRESSOR

For Use with Mini Skid Steer and Mini Loaders



Cast Alloy Steel Drive Hub

Semi-Double Flight



TRIFLOW
Pilot Bit

2" ROUND HUBS

	30" Length	42" Length	48" Length
6"	138400	138000	138010
9"	138405	138001	138011
12"	138410	138002	138012
15"		138003	138013
18"		138004	138014
24"		138005	138015
30"		138008	
36"		138009	
9/24"		138006	138017
12/30"		138007	

2 9/16" ROUND HUBS

	42" Length
6"	138100
9"	138101
12"	138102
15"	138103
18"	138104
24"	138105
30"	138108
36"	138109
9/24"	138106
12/30"	138007

FEATURES

- Teeth: Optimize your drilling efficiency with 40/50 dual angle teeth. Featuring Pengo's Triple Locking System that allows your teeth to stay secured at either the 40° or 50° angle.
- Forge Alloy Steel teeth available in:
 - Standard—Standard drilling
 - Hardface—Abrasive soil/impact
 - Carbide—Rock/Abrasive soil
- Pilot Bit: TriFlow®
 - Three, not two, drill points - 50% longer wear!
 - Drive won't break off - Guaranteed 1 year.
 - Better drilling stability.
- Compatibility: Teeth and TriFlow® wear parts
- Lengths: 30", 42", and 48"
- Flights: Semi-Double — 1/4" Thick
- 3-Point Lock Lug and Bolt
- Fasteners
- Hubs: 2" & 2-9/16" Round (2" Hex available upon request)

ROCK RIPPER® GP AUGER

*For Use With: Skid Steers,
Backhoes, and Mini Excavators*



FEATURES

- Solid and fracturable rock and compacted soil (15-20 RPM)
- Teeth: Bullet Style
- Cast Alloy Steel Head
- Pilot Bit: RRP 2 3/8 API (Bullet Teeth)
- Holder: C-10
- Lengths: 42"
- Flights: Single
- Hubs: 2" & 2-9/16" Round and 2" Hex



Single Flight - 42" Length

	2" Rnd	2" Hex	2 9/16" Rnd
6-LRR-42	100976	135505	100975
8-LRR-42	100978	133650	100977
9-LRR-42	100980	133651	100979
10-LRR-42	100982	133652	100981
12-LRR-42	100984	133653	100983
14-LRR-42		134413	100985
16-LRR-42		133654	100986
18-LRR-42		133655	100987
20-LRR-42		133656	100988
24-LRR-42		133657	100989
30-LRR-42		133658	100990
36-LRR-42		101823	102101

STEP ROCK AUGER

For Use With: Skid Steers,
Backhoes, and Mini Excavators

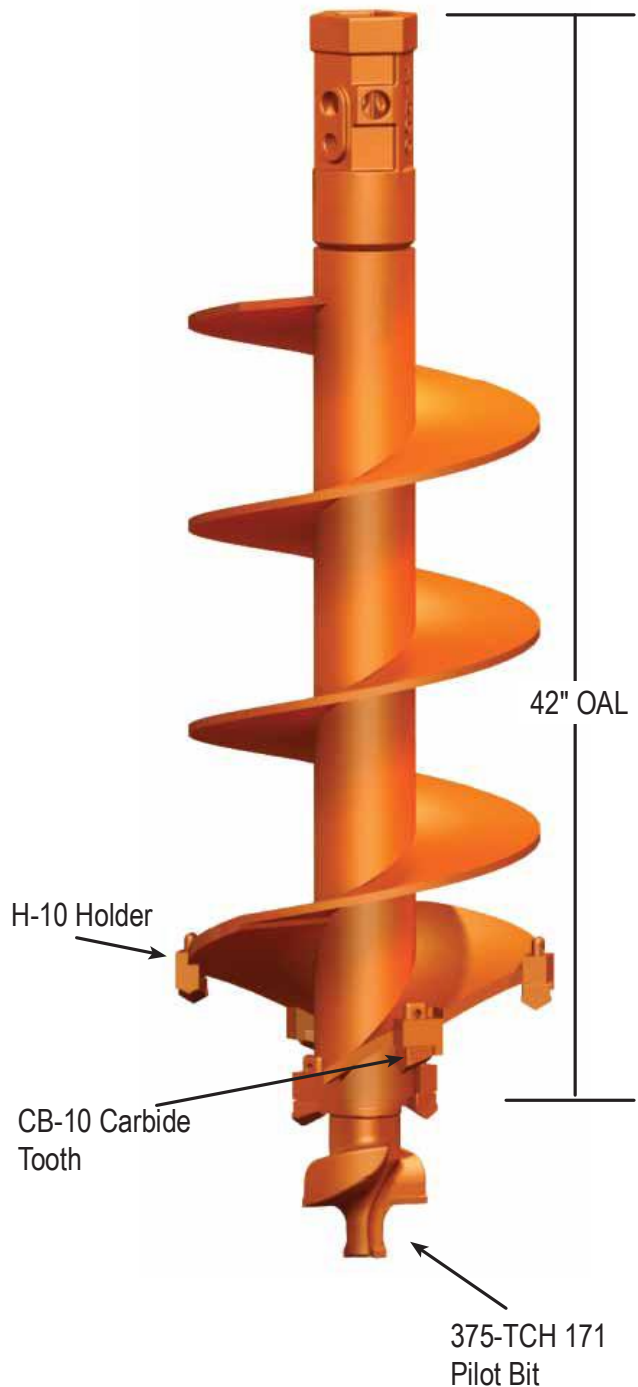


FEATURES

- Solid and fracturable rock and highly abrasive soil conditions
- Cast Alloy Steel Head
- Pilot Bit: 375-TCH 171
- Teeth: CB-10 Carbide
- Holder: H-10
- Lengths: 42"
- Flights: Single
- Hubs: 2" Hex
(2" Rnd & 2 9/16" Rnd available, call for details)

42" Length

	2" Hex
6-GPSRA-42	553443
8-GPSRA-42	553444
9-GPSRA-42	553445
10-GPSRA-42	553446
12-GPSRA-42	553447
16-GPSRA-42	553449
18-GPSRA-42	553450
24-GPSRA-42	553452

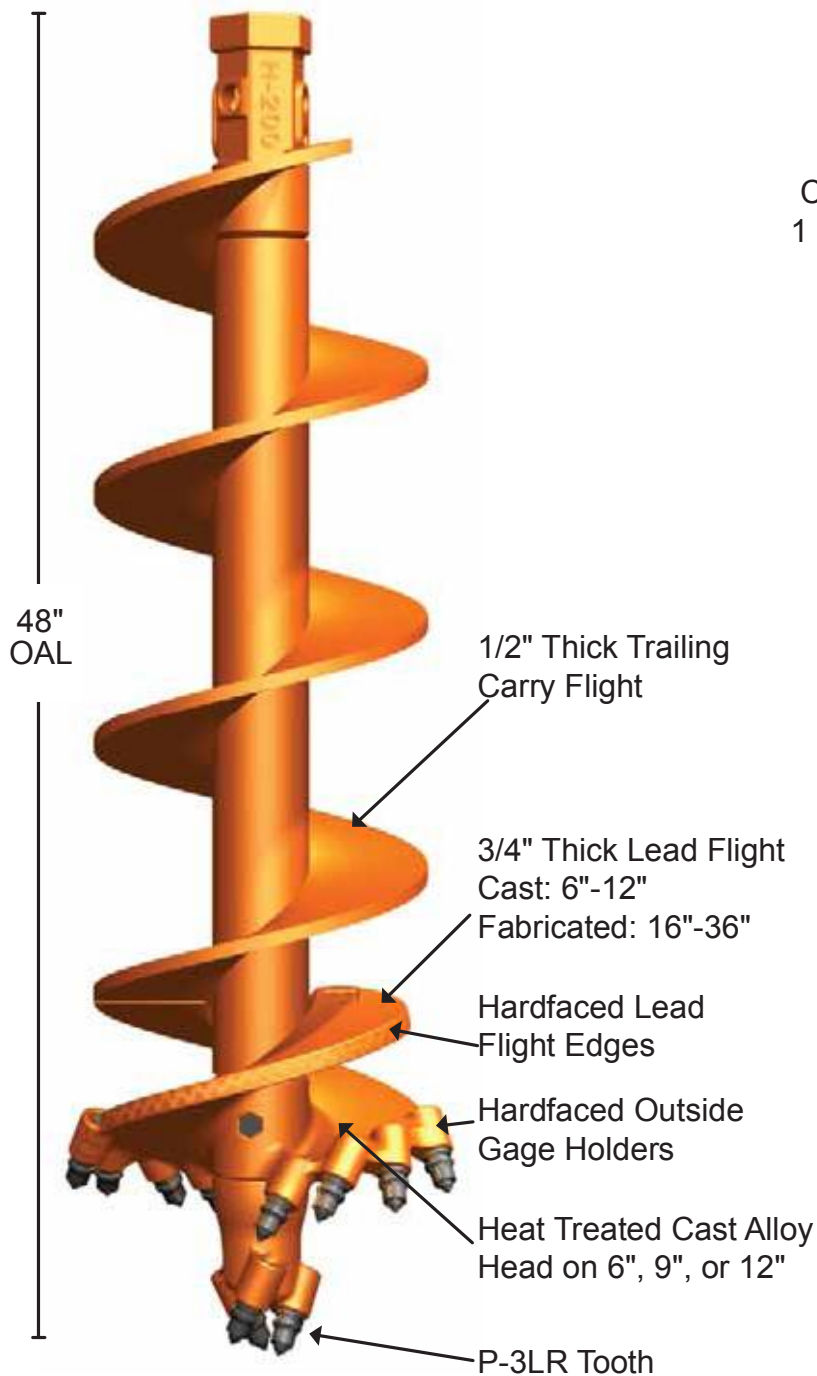
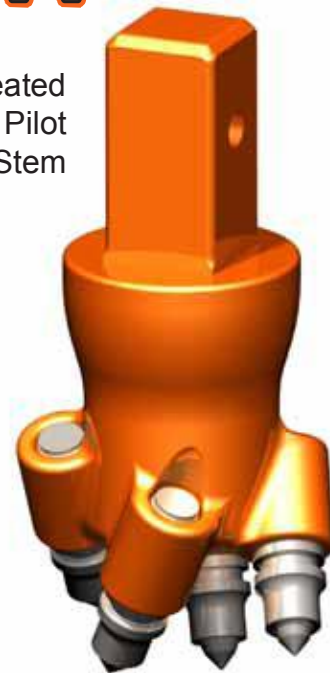


SEVERE ROCK RIPPER®

For use with Skid Steers and Mini Excavators in difficult rock drilling!



Heat Treated
Cast Alloy Pilot
1 3/4" Sq. Stem

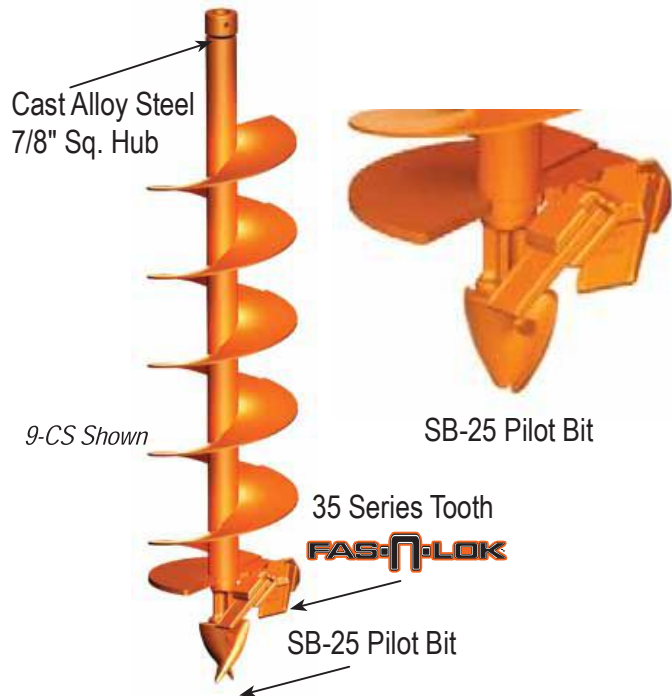


48" Length

Description	2" Hex
6-SRR-48	137950
9-SRR-48	137951
12-SRR-48	137952
16-SRR-48	137953
18-SRR-48	137954
20-SRR-48	137955
24-SRR-48	137956
30-SRR-48	137957
36-SRR-48	137958

Patent No. 5,427,191

CS AUGERS



For hole digging in favorable to moderate soil conditions with one man hand held auger drive.

FEATURES

- Teeth: Optimize your drilling efficiency with 35 Series Teeth
- Forge Alloy Steel teeth available in:
 - Standard—Standard drilling
 - Hardface—Abrasive soil/impact
 - Carbide—Rock/Abrasive soil
- Pilot Bit: Hardened, Cast Alloy two-flute pilot bit
- Lengths: 36", 42" and 48"
- Flights: Single Flight
- Hubs: 7/8" Sq., 1-1/4" Sq., 1" Round, 1-3/8" Hex, Stihl, Pengo Collar, Little Beaver

36" OAL CS Auger

	1" Rnd Hub	2" Pengo Collar	7/8" Sq. Hub	7/8" Sq. Carbide	1 3/8" Hex Hub	STIHL Male Stem	1 1/4" Sq. Stem
2"	101368	101380	553295			101780	102164
3"	101369	101381	553296				102165
4"	101370	101382	553297	101557	101697	101599	101739
6"	101371	101383	553298	101770	101618	101652	101602
7"	101372	101384	553299				101538
8"	101373	101385	553301	101597	101578		101544
9"	101374	101386	101386				101669
10"	101375	101387	553303	101620	101559	101727	101535
12"	101376	101388	553304		101546	101677	101545
14"	101377	101389	135902				102177
16"	101378	101390	553306			101743	
18"	101379	101391	553307				

42" OAL CS Auger

	1" Rnd Hub	2" Pengo Collar	7/8" Sq. Hub	7/8" Sq. Carbide	1 3/8" Hex Hub	STIHL Male Stem	1 1/4" Sq. Stem
2"	101392	101404	553311				
3"	101393	101405	133919	101598			
4"	101394	101406	553313			102075	
6"	101395	101407	553314		101629	101616	101558
7"	101396	101408	553316				
8"	101397	101409	553318		101651	101642	101577
9"	101398	101410	553319		101701		101692
10"	101399	101411	553321		101603	102063	
12"	101400	101412	553323		101604	101726	101650
14"	101401	101413	134711				
16"	101402	101414	553324			102064	102124
18"	101403	101415	553326			101725	101791

48" OAL CS Auger

101684 18" CS Pengo Collar

CS AUGERS – REPLACEMENT PARTS

CS Head Kits

Description	Part No.
4-CSA	553165
6-CSA	553170
7-CSA	553175
8-CSA	553180
9-CSA	553185
10-CSA	553190
12-CSA	553195
16-CSA	553198
18-CSA	553200

CS Head Kit Consists of:
 Pilot Bit with Nut & Bolt
 Pilot Drive Lug
 Shank
 35 Fas-N-Lok™ Teeth



CS Head Plates

Description	Part No.
6-SC-CSA	153300
7-SC-CSA	153301
8-SC-CSA	153302
9-SC-CSA	153303
10-SC-CSA	153304
12-SC-CSA	153305

CS Shank Plates

Description	Part No.
6/7-CS	154510
8-CS	154520
9/10-CS	154530
12-CS	154540
18-CS-1	154550
18-CS-2	154560



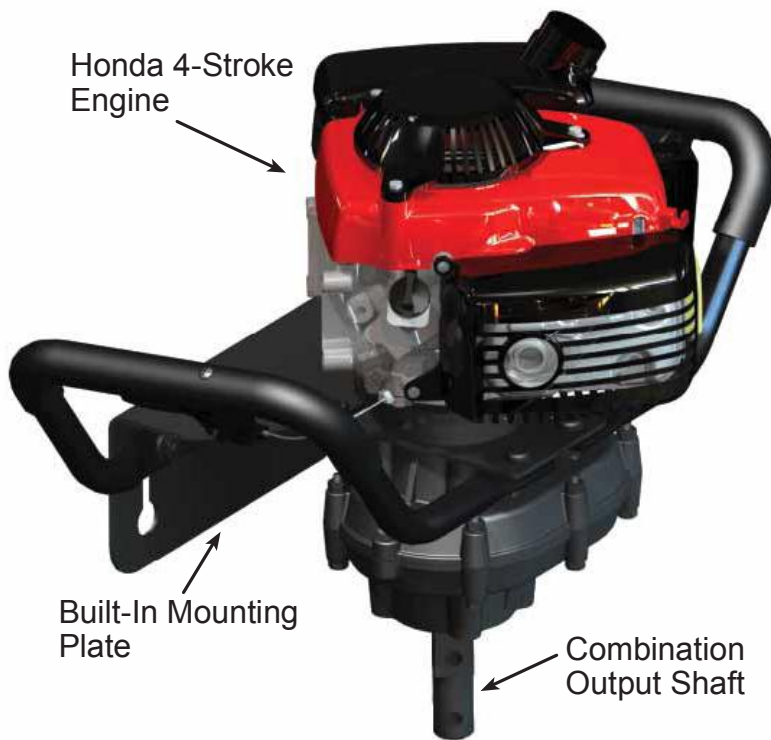
CS Conversion Kit



CS Auger Conversion Kit

Description	Single Cut	Double Cut
6-CSA	552920	552927
7-CSA	552921	552928
8-CSA	552922	552929
9-CSA	552923	552930
10-CSA	552924	552931
12-CSA	552925	552932
14-CSA		552933

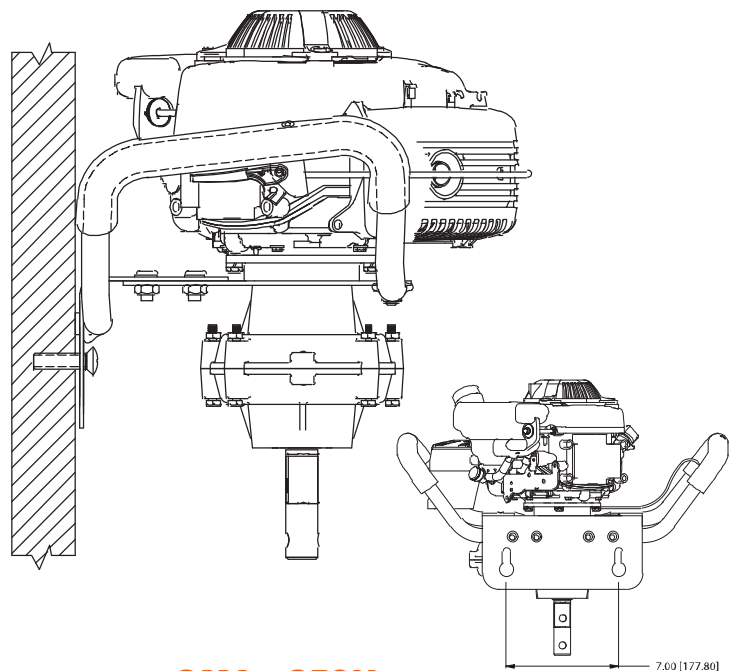
ONE MAN AUGER — OMA-250H



- **Designed for digging vertical holes in a broad range of soil conditions.**
- **Allows you to drill holes for fencing, signs, trees, light construction and home and garden applications.**
- **HONDA 4-Stroke engine and durable gearbox design make the OMA-250H ideal for the rental industry.**

FEATURES

- **HONDA 4-Stroke Engine** The HONDA GXV50 4-Stroke OHV engine offers a rugged reliable source of power for the OMA-250H. When compared with a 2-Stroke engine the 4-Stroke engine significantly lowers emissions, reduces operating noise, and provides quick throttle responses.
- **Ergonomic Handle Design** The handles are designed to reduce fatigue and are padded with a durable, non-slip material that also provides comfort during operation.
- **Compact Design** The compact and balanced design make the OMA-250H easy to operate and transport in limited access or hard-to-reach areas.
- **Auto Stop Trigger** Increases operator control by having the shut-off incorporated into the handle.
- **Throttle** Trigger action spring return provides finger tip speed control.
- **Built-In Mounting Plate** Provides a stable resting area on the job site when not in use. Also allows for space saving storage indoors.
- **Durable Gearbox** Aluminum-alloy cast gearbox is durable, light weight, and helps dissipate heat within the gearbox.
- **Combination Output Shaft** The exclusive 1" square and 1" round combo shaft allow maximum flexibility when selecting an auger bit



OMA - 250H

260088 OMA-250H One Man Earth Auger

HAND HELD AUGERS

Designed for use with Pengo OMA-250H drive unit and other similar one and two-man units!



1" Square Hub



FEATURES

- Lightweight and durable design
- Available in 4", 6", and 8" cut diameters
- 1" square hub
- One piece heat-treated cast auger head
- Easily replaceable - insert, turn, and bolt!
- Only one bolt and nut required
- Auger flight fits securely under tabs

For hole digging in favorable to moderate soil conditions.

Hand Held Earth Augers

137293	4" HH-36 Auger
137294	6" HH-36 Auger
137295	8" HH-36 Auger

Replacement Heads

137290	4" Replacement Head
137291	6" Replacement Head
137292	8" Replacement Head



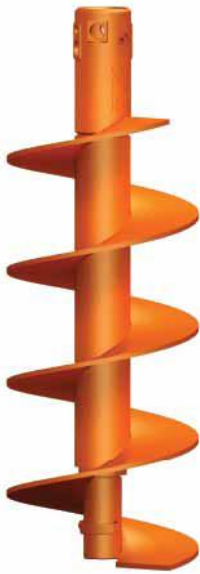
One Piece Heat Treated Cast Auger Head

GP - QUICK CHANGE

One Flight Body

O.A.L. 42"
assembled

Standard Hubs
Available:
2" Round
2 1/2" Round
2" Hex



Quick Change Connection
6" - 12" Diameter = 1 5/8" Hex
16" - 24" Diameter = 2" Hex

FLIGHT BODIES

	2" Rnd	2" Hex	2 9/16" Rnd
FGP-6	101270	101269	553710
FGP-8	101273	101272	553711
FGP-9	101276	101275	553712
FGP-10	101279	101278	553713
FGP-12	101282	101281	553714
FGP-16	101285	101284	553716
FGP-18	101288	101287	553718
FGP-20	101291	101290	553720
FGP-24	101294	101293	553719
FGP-30	101297	101296	135670

OPTION 1 TriMax®

Part No.

POTMH-6	553700
POTMH-8	553701
POTMH-9	553702
POTMH-10	553703
POTMH-12	553704
POTMH-16	553705
POTMH-18	553706
POTMH-20	553707
POTMH-24	553708
POTMH-30	553709

OPTION 2 STEP ROCK HEADS

Part No.

POLRH-6	553690
POLRH-8	553691
POLRH-9	553692
POLRH-10	553693
POLRH-12	553694
POLRH-16	553696
POLRH-18	553697
POLRH-20	553698
POLRH-24	553699
POLRH-30	135674

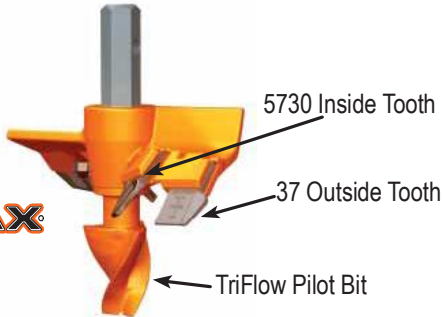
OPTION 3 ROCK RIPPER® HEADS

Part No.

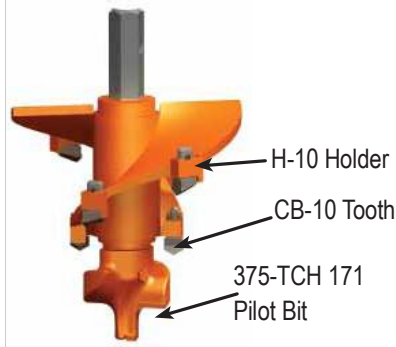
6-POLRR	133649
9-POLRR	133659
10-POLRR	133660
12-POLRR	133661
16-POLRR	133662
18-POLRR	133663
20-POLRR	133664
24-POLRR	133665
30-POLRR	133666

Option 1 TriMax®

TRIMAX

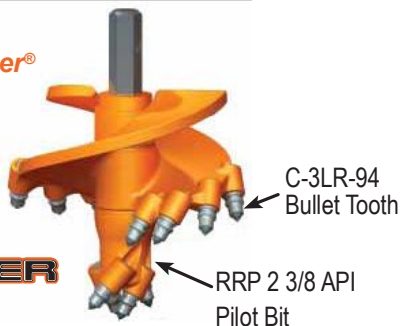


Option 2 Step Rock Heads



Option 3 Rock Ripper® Heads

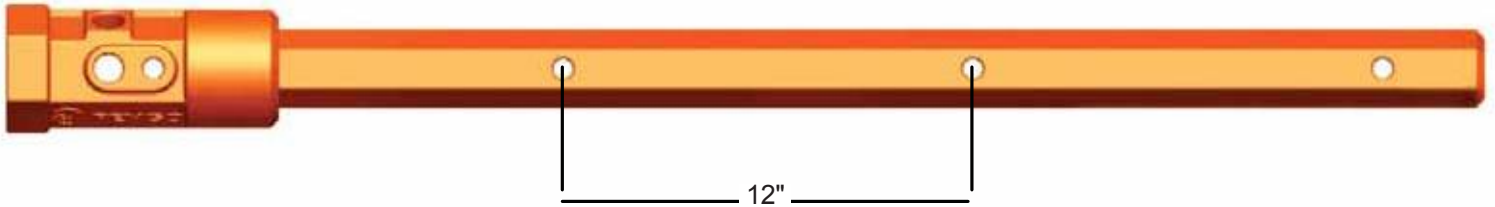
ROCK RIPPER



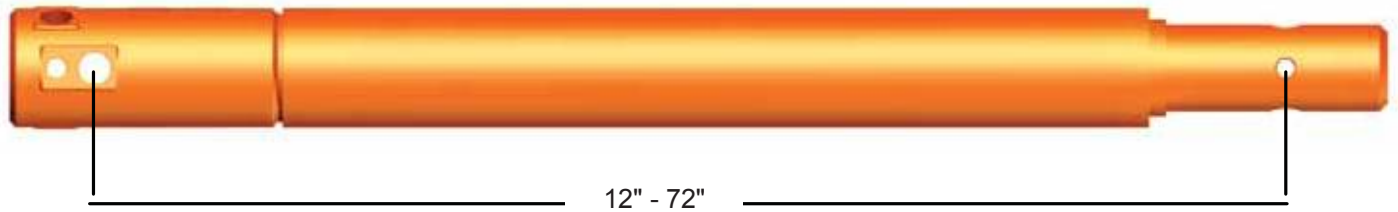
EXTENSIONS

*Custom Extensions
Available on Request
[Non-Cancellable & Non-Returnable]*

Telescoping Extension



Fixed Extension



2" Hex Telescoping Extensions

557142	12"	1 hole
557143	24"	2 holes
557144	36"	3 holes
557145	48"	4 holes
557146	60"	5 holes
557147	72"	6 holes

2" Round Fixed Extensions

557176	12"	male to female
557178	24"	male to female
557174	36"	male to female
557179	48"	male to female
557177	72"	male to female

2-9/16" Round Fixed Extensions

134203	12"	male to female
134204	24"	male
134205	36"	(24" male to female)
134206	48"	male
134207	60"	("36 round male to female)
134208	72"	

Telescoping CS Extensions

ST-1.25R X 24	24" Stihl Type Ext.	1-1/4" Round Hub	557090
G-1.00R X 24	24" General Type Ext.	1" Round Hub	557091
G-1.375H X 24	24" General Type Ext.	1-3/8" Hex Hub	557092
LB-1.25S X 24	24" Little Beaver Type Ext.	Hub	557093
GH-0.875 X 24	24" Ground Hog Type Ext.	7/8" Sq. Hub	557094

Above CS Extension are for use with CS Augers made with Pengo Collar.

HUBS & DRIVE LUGS

Drive Hubs

H200U	2" Hex Hub	154121
S150	1-1/2" Square Hub	153985
S200	2" Square Hub	153990
R200U	2" Round Hub	154077
R256	2-9/16" Round Hub	154115
R200U	2" Cast Round Hub	154080
RH-1375	1-3/8" Hex Hub	133156



S-200



H-200U

Hub Adapters

H200F X R256M	2" Hex Hub x 2-9/16" Round Stem	134211
H200F X R200M	2" Hex Hub x 2" Round Stem	557156
R200F X H200M	2" Round Hub x 2" Hex Stem	132804
R200F X R256M	2" Round Hub x 2-9/16" Round Stem	134210
R256F X H200M	2-9/16" Round Hub x 2" Hex Stem	557153
R256F X H250M	2-9/16" Round Hub x 2-1/2" Hex Stem	133906
R256F X R200M	2-9/16" Round Hub x 2" Round Stem	132068
R256F X S200M	2-9/16" Round Hub x 2" Square Stem	557155
R200F X H225M	2" Round Hub x 2-1/4" Hex Stem	132805
H250F X H200M	2" Hex Hub x 2" Hex Stem	132419
S250F X S300M	2-1/2" Square Hub x 3" Square Stem	133914
H250F X R256M	2-1/2" Hex Hub x 2 9/16" Round Stem	151025
H225F X H200M	2-1/4" Hex Hub x 2" Hex Stem	557159
SA24-256	24" Adjustable	134668
AF24-256	24" Solid Fixed	134669

Female



Male

H-200F X R-256M



LHX-141-L



141-R

Drive Lugs & Drive Pins

140-S	Weld On, Short	151940
140-CS	Weld On, Short	151930
141-R	Weld On	151956
141-L	Weld On	151970
141-MT	Threaded	151960
SHX-140-S	13/16" Hex (SB-25,SB-35)	151980
MHX-140-S	1-1/8" Hex (SB-25, SB-30)	151990
MHX-141-M	1-5/8" Hex (SB-35, SB-45)	152000
MHX-141-L	1-1/8" Hex (375-TCH-171)	152010
LHX-141-M	1-5/8" Hex (375-TCH-171)	152020
LHX-141-L	1-5/8" Hex	152030
MF-MM	Pilot Bit Extension	151020
1-1/4" - 7NC	Sleeve (141-MT)	151195

REPLACEMENT PARTS



Due to varying manufacturers tolerances, Rub-R-Lok might be necessary to obtain the correct fit.

Teeth

			Aggressor®	BoRH™	Landscape Aggressor®	TriMax®	Rock Ripper®	Step Rock Augers	Severe Rock Ripper®	CS Augers
133835	35	Dirt Tooth Fas-N-Lok				•				•
132470	35	Dirt Tooth				•				•
132477	35-C	Carbide Tooth				•				•
132845	35-HF	Hardfaced 1 side				•				•
132847	35-HFF	Hardfaced 2 sides				•				•
140027	37	Dirt Gage Tooth Fas-N-Lok				•				•
132478	37	Dirt Gage Tooth				•				•
132480	37HF	Hardfaced Gage Tooth				•				•
135837	1336L	Carbide Tooth				•				•
140029	5T30	Dirt Chisel Tooth Fas-N-Lok				•				•
132471	5T30	Dirt Chisel Tooth				•				•
132846	5T30-HF	Hardfaced Chisel Tooth				•				•
132476	5T30-C	Carbide Chisel Tooth				•				•
132486	RB-5T30	Ridge Breaker, Carbide Chisel				•				•
140055	CB-10	Carbide Core Tooth					•			
170056	RB-36L	Ridge Breaker, Carbide Tooth				•				•
134037	C-3LR-94	Rock Ripper Tooth					•		•	
134501	40/50	Dirt Tooth	•		•					
134802	40/50HFF	Hardfaced Tooth	•		•					
134519	40/50C	Carbide Tooth	•		•					
	P-3LR	Tooth					•		•	
137900	P21-RR	BoRH Tooth		•						

Miscellaneous



T-35 Holder



T-36 Holder

Holder

171221	T-35	Weld-On Holder, Angled
171231	T-36	Weld-On Holder, Straight
157025	H-10	Holder for CB-10 Tooth
137610	P-10	Pin for CB-10 Tooth

151660	5/16" x 1-1/2"	Pilot Bit Bolt & Nut
151640	5/8" x 1-1/2"	Bolt & Nut
151672	3/8" x 3"	Pilot Bit Bolt & Nut
137737	SH85	Soft Hammer
137750	1225	Drift Punch
135102	Auger Stand	2-9/16" Round Connection
137608	3/16" x 2"	Pin Cotter
134209	RM-256A	2-91/6" Diameter Round Stem
152145	PE-151	Adapter Pilot
137601	RL 1/4" X 48"	Ribd-Rubr-Lok
137610	P-10	Step Rock Pin
134677	Carriage Bolt	Bolt for 40/50 tooth
134527	Locknut	Nut for 40/50 tooth
174447	3.5" Pilot Bolt	6" & 9" Diameters
174448	4.0" Pilot Bolt	12+ Diameters

REPLACEMENT PARTS

Pilot Bits

			Aggressor®	BoRH™	LandscapeAggressor®	TriMax®	Rock Ripper®	Step Rock Augers	Severe Rock Ripper®	CS Augers
131740	SB-25	2-1/2" Dirt Screw Bit								•
132266	SB-25HF	2-1/2" Hardfaced Screw Bit								•
132135	SB-25C	2-1/2" Carbide Tipped Screw Bit								•
132758	SB-25CXC	2-1/2" Carbide Screw Bit								•
132590	SB-25HFTC	2-1/2" Hardfaced, Carbide Screw Bit								•
131766	SB-30	3" Dirt Screw Bit								•
132359	SB-30HF	3" Hardfaced Screw Bit								•
131764	SB-30C	3" Carbide Tipped Screw Bit								•
131765	SB-30CXC	3" Carbide Screw Bit								•
133250	SB-30HFTC	3" Hardfaced, Carbide Screw Bit								•
133402	SB-35	3-1/2" Dirt Screw Bit								•
133405	SB-35HF	3-1/2" Hardfaced Screw Bit								•
133403	SB-35C	3-1/2" Carbide Tipped Screw Bit								•
133404	SB-35CXC	3-1/2" Carbide Screw Bit								•
133406	SB-35HFTC	3-1/2" Hardfaced, Carbide Screw Bit								•
136809	SB-35 SQ	3-1/2" Dirt Screw Bit								
136816	SB-35 SQHF	3-1/2" Hardfaced Screw Bit								
136813	SB-35 SQC	3-1/2" Carbide Tipped Screw Bit								
136817	SB-35 SQCXC	3-1/2" Carbide Screw Bit								
136814	SB-35 SQHFTC	3-1/2" Hardfaced, Carbide Screw Bit								
133407	SB-45	4-1/2" Dirt Screw Bit								
133410	SB-45HF	4-1/2" Hardfaced Screw Bit								
133408	SB-45C	4-1/2" Carbide Tipped Screw Bit								
133409	SB-45CXC	4-1/2" Carbide Screw Bit								
133411	SB-45HFTC	4-1/2" Hardfaced, Carbide Screw Bit								
132748	250-TCH-171	Tungsten Carbide Head						•		
132173	375-TCH-171M	Tungsten Carbide Head						•		
135088	TF-350	Dirt Pilot Bit	•		•	•				
135089	TF-350HF	Hardfaced Pilot Bit	•		•	•				
135090	TF-350C	Carbide Tipped Pilot Bit	•		•	•				
135091	TF-350CXC	Carbide Pilot Bit	•		•	•				
135092	TF-350HFTC	Hardfaced, Carbide Pilot Bit	•		•	•				
133520	RRP-2-3/8" API	Rock Ripper Pilot					•			
137204	RR-1.75 Sq.	Rock Ripper Pilot							•	



TF-350



SB-35 S175



RR API Pilot

Pengo Limited Warranty

Products manufactured by Pengo wear and are expendable in their function. Wear and tear and occasional breakage must, therefore, be expected.

Pengo products are warranted from defects in material and workmanship for a period of Sixty (60) Days from the date of invoice. Pengo will either replace or credit the defective part at it's option. Any labor and/or material required to remove or install parts is excluded under this Limited Warranty. Products that have been misused, misapplied, hardfaced, improperly welded, or otherwise installed contrary to instructions and specifications are not covered by this Limited Warranty.


Pengo reserves the right to make design, specification and prices changes without notice and obligations to the affect of such changes.

Pengo makes no other warranty. All other warranties, whether express, implied or statuary, such as warranties of merchantability of fitness for a particular purpose, are hereby excluded and disclaimed to the extent that they exceed the warranties expressly granted in this limited warranty. In no event shall Pengo be liable for consequential or incidental damages. Whether direct or indirect, claimed by the customer and/or any third parties.

Returns and Claims

1. Pengo reserves the right to determine whether products claimed to be defective shall be inspected by our personnel in the field or returned to the factory. If judged by Pengo to be defective in material or workmanship, the product will be replaced or a credit issued at the option of Pengo.
2. Upon notification of defect, Pengo's Inside Sales Department will issue a Return Goods Authorization number (RGA). All returns for replacement or credit MUST be accompanied by a RGA number. Products returned without a RGA number will be rejected and returned to the sender freight collect.
3. All returns must be shipped "prepaid". Products shipped "collect" will be refused. Proof of purchase such as invoice number must accompany returns.
4. Slow moving dealer inventory may be returned once per calendar year. The net value cannot exceed 5% of the previous year's purchases. A 20% re-stocking charge will apply to the net value or returned products. All returns must be of current manufacture and in un-used condition. Rusty or custom painted products will not be accepted for return.





Unmatched quality. Unsurpassed ingenuity.
Uncompromising service. They're not just hallmarks
of the Paladin family of brands. They're what
make us one of the most trusted names in the
North American construction industry.

**FIVE TEAMS.
THIRTEEN BRANDS.
THOUSANDS
OF PRODUCTS.
ONE GREAT
COMPANY.**



PALADIN UTILITY

For complete details
and specifications contact:

Pengo
500 East Highway 10
Laurens, IA 50554
PH: (800)599-0211
FX: (712)845-2497
www.pengoattachments.com
pengosales@paladinbrands.com

