

Special Applications

Model SPTR - Trailer Spotter

An inexpensive and fast way to move trailers with your fork lift truck. It quickly attaches to both forks for stable load movement with safety chain and grab hook for added security. Accepts standard 2" hitch inserts designed to handle 1-7/8" to 2-5/16" hitch ball for up to 6,000 pounds gross towing weight, and with the pintle adapter, up to 16,000 pounds gross towing weight.



INSTOCK PROGRAM

SPECIFICATIONS

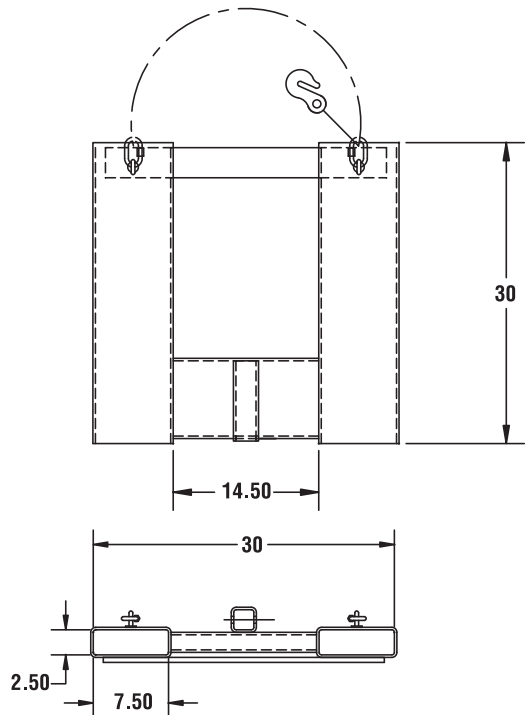
Model Number	Ball Dia. (in.)	Max. Tongue Wt. (lbs.)	Max. Gross Trailer Wt. (lbs.)	Weight (lbs.)
SPTR-8	1-7/8	600	2000	135
	2		5000	
	2-5/16	6000		
	Pintle	3000	16000	

WARNING

Capacity of lift truck and attachment combination may be less than capacity shown on attachment. Consult lift truck manufacturer.

PRODUCT FEATURES:

- Easily move trailers with a fork lift truck.
- Restraining chain with grab hooks standard.
- Insert restraining pin standard.
- Can be used with most 2" standard inserts.
- Optional hitch insert or pintle adapter are available.

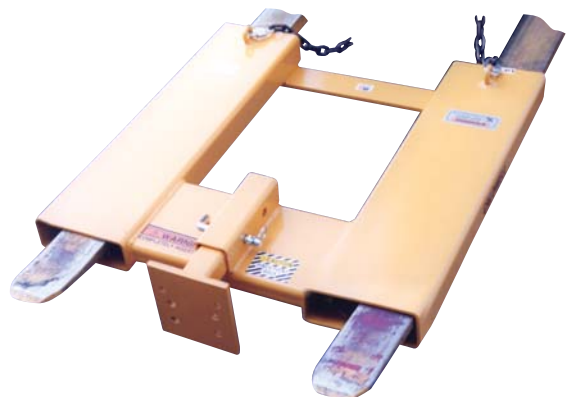


NOTE: Dimensions shown in inches.

Options



Shown with optional hitch insert & ball.



Shown with optional pintle adapter.