



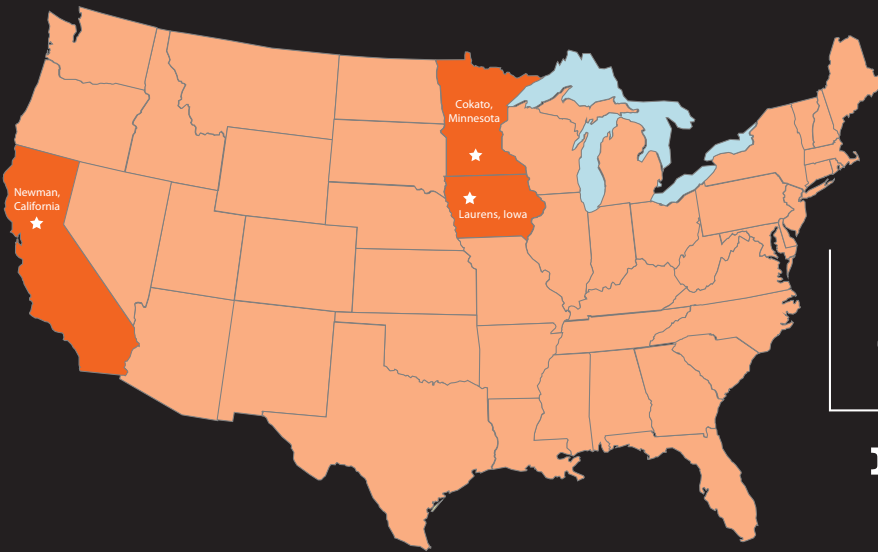
PENGO

PALADIN UTILITY



We're Breaking New Ground!

**AGRICULTURE
AUGERS**



PALADIN UTILITY

Pengo was established in 1950 near San Francisco, California to design and manufacture utility industry equipment to pull and tension high voltage transmissions lines. The company later developed augers to drill efficiently in conditions, which, at the time, were considered extremely difficult. Within a few years, Pengo held over 169 patents, most of which are still the basis for current drilling industry standards. The Aggressor™ auger line is the latest patented product that has been chosen by the leading dealers, distributors, and OEM (Original Equipment Manufacturers).

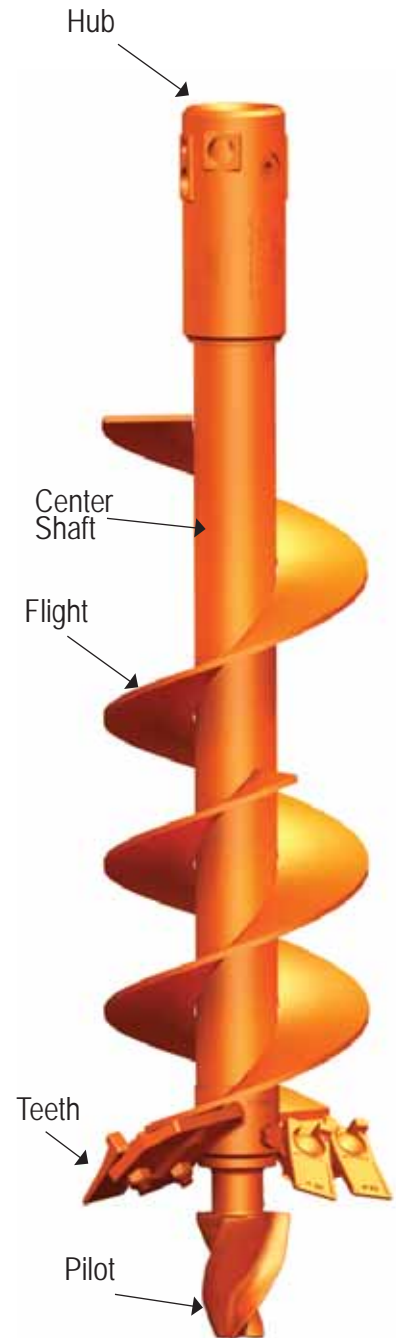
Today, Pengo is the largest manufacturer of augers and related wear parts in the world, serving the utility, construction, agriculture, foundation, and major worldwide OEM customers. Our products are available through a network of over 500 dealers and OEM's. The product line has expanded to include forged, cast and fabricated bucket teeth in addition to a line of mini-loader attachments and foundation drilling tools and components. Pengo acquired CAM Manufacturing in May 2004. This added the conveyor screw product line and the ability to manufacturer heavy duty helical and sectional flighting.

With manufacturing and distribution points in California, Iowa, and Minnesota, we have several locations to serve you. Please call Sales at (800)599-0211 to talk with our representatives and see why at Pengo we are proud to say "We're Breaking New Ground."

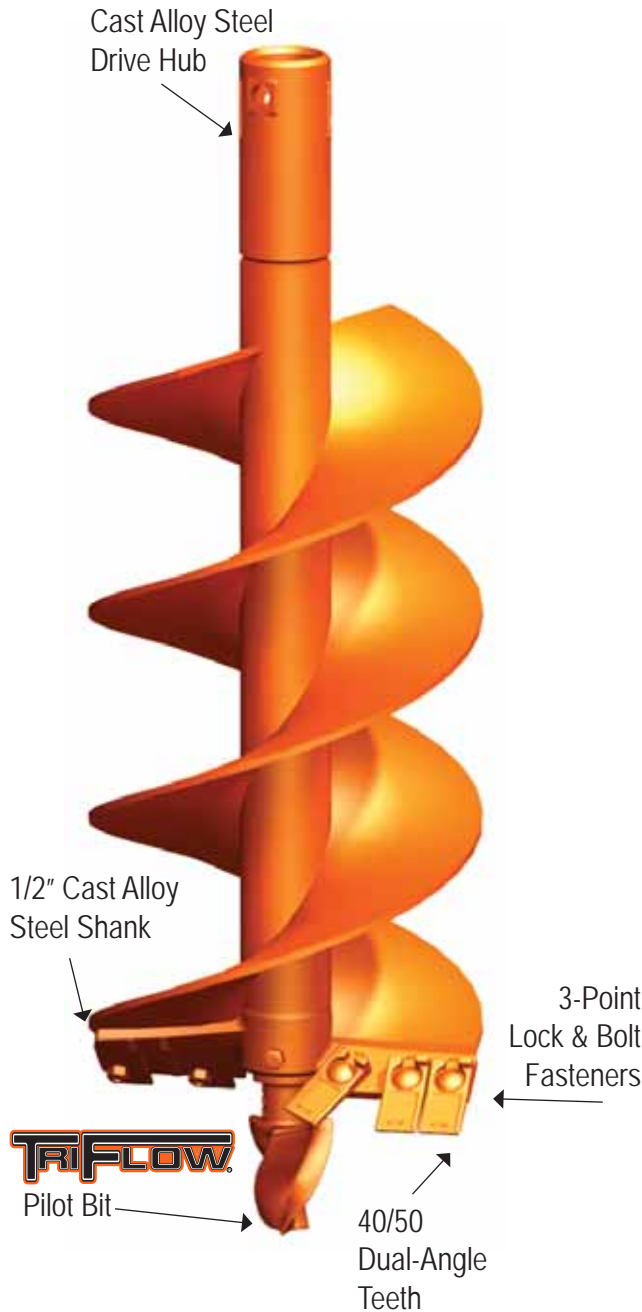


AUGER INFORMATION CHART

| | Hand Held Auger | CS Augers | Ag Augers | AG Aggressor® | Landscape Aggressor® | PTO Aggressor® | Ag Max | Aggressor® |
|-------------------------|-----------------|-----------|-----------|---------------|----------------------|----------------|--------|------------|
| FLIGHT TYPE | | | | | | | | |
| Single | | • | | | | | | |
| Double | | | • | • | • | • | • | • |
| Semi-Double | • | | • | • | • | • | • | • |
| FLIGHT THICKNESS | | | | | | | | |
| 1/8" | • | • | | | | | | |
| 3/16" | | | • | | | • | • | |
| 1/4" | | | | | • | | | |
| 5/16" | | | | | | | | • |
| 3/8" | | | | • | | | | |
| 1/2" | | | | | | | | |
| CENTER SHAFT | | | | | | | | |
| 1" OD x .109" W | • | | | | | | | |
| 1-5/8" OD x .140" W | | • | | | | | | |
| 2-3/8" OD x .154" W | | | • | • | | • | • | |
| 2-7/8" OD x .203" W | | | | | • | | | • |
| 3-1/2" OD x .300" W | | | | | | | | • |
| AUGER HEAD TYPE | | | | | | | | |
| Fabricated | | • | | • | | | | |
| One Piece Casting | • | | • | | • | • | • | • |
| PILOT BIT STYLE | | | | | | | | |
| Part of Head | • | | | | | | | |
| SB-25 | | • | | | | | | |
| SB-30 | | | • | | | | | |
| SB-35 | | | | • | | | | |
| Tri-Flow 350 | | | | | • | • | • | • |
| API or New 1-3/4" Sq. | | | | | | | | |
| 375-TCH | | | | | | | | |
| TEETH | | | | | | | | |
| 35 Series (Fas-N-Lok™) | | • | • | | | | • | |
| 40/50 | | | | • | • | • | | • |
| RL08 | | | | | | | | |
| CB-10 | | | | | | | | |
| HUB (Connection) | | | | | | | | |
| 7/8" Square | | • | | | | | | |
| 1" Round | | • | | | | | | |
| 1" Square | • | | | | | | | |
| 1-3/8" Hex | | • | | | | | | |
| Stihl | | • | | | | | | |
| 1-14" Square (Clip) | | • | | | | | | |
| 2" Round | | | • | • | • | • | • | • |
| 2" Hex | | | | | • | | • | • |
| 2-9/16" Round | | | | | • | | • | • |



For Use With:
Skid Steers,
Backhoes,
and
Mini Excavators

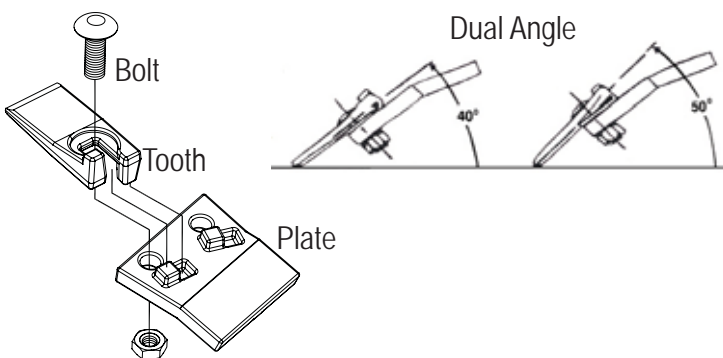


FEATURES

- Teeth: Optimize your drilling efficiency with 40/50 dual angle teeth. Featuring Pengo's Triple Locking System that allows your teeth to stay secured at either the 40° or 50° angle.
- Forge Alloy Steel teeth available in:
 - Standard—Standard drilling
 - Hardface—Abrasive soil/impact
 - Carbide—Rock/Abrasive soil
- Pilot Bit: Triflow®
 - Three, not two, drill points - 50% longer wear!
 - Drive won't break off - Guaranteed 1 year.
 - Better drilling stability.
- Compatibility: Teeth and TriFlow® wear parts
- Lengths: 49" and 51"
- Flights: Double — 5/16" Thick
- 3-Point Lock Lug and Bolt
- Fasteners
- Hubs: Round (2" and 2-9/16") Hex (2")

AGGRESSOR®

| | | 2-9/16" Rnd | 2" Rnd | 2" Hex |
|-------|-------|-------------|--------|--------|
| 6" | AR-49 | 135534 | 135570 | 135546 |
| 9" | AR-49 | 135535 | 135571 | 135547 |
| 12" | AR-51 | 135536 | 135572 | 135548 |
| 15" | AR-51 | 135537 | 135573 | 135549 |
| 18" | AR-51 | 135538 | 135574 | 135550 |
| 24" | AR-51 | 135539 | 135575 | 135551 |
| 30" | AR-51 | 135540 | 135576 | 135552 |
| 36" | AR-51 | 135541 | 135577 | 135553 |
| 9/18 | AR-51 | 135542 | 135578 | 135554 |
| 12/24 | AR-51 | 135543 | 135579 | 135555 |
| 15/30 | AR-51 | 135544 | 135580 | 135556 |
| 18/36 | AR-51 | 135545 | 135581 | 135557 |



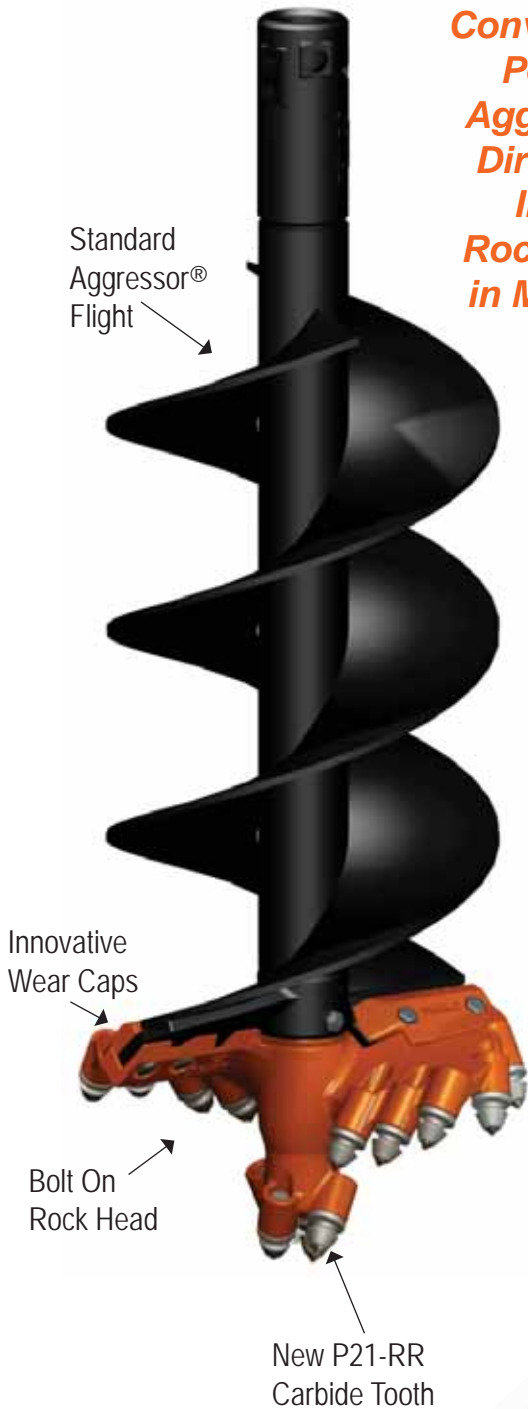
BOLT ON ROCK HEAD - BoRH™



**Convert Your
Pengo®
Aggressor®
Dirt Auger
Into A
Rock Auger
in Minutes!**

FEATURES

- Teeth: The NEW P21-RR Carbide Bullet Tooth
- Pilot Bit:
- Compatibility: Pengo Aggressor®
- Diameters: 6", 9", 12", 15", 18", and 24"
- Innovative Wear Caps



BoRH™ Kits

| | |
|--------|----------------------|
| 137991 | 6" BoRH Auger Kit |
| 137992 | 9" BoRH Auger Kit |
| 137993 | 12" BoRH Auger Kit |
| 137994 | 15" BoRH Auger Kit |
| 137995 | 18" BoRH Auger Kit |
| 137996 | 24" BoRH Auger Kit |
| 137990 | P21-RR Carbide Tooth |

Bolt On Rock Head Kits Contain:
Auger Boring Head & Pilot, Wear Caps,
Bullet Style Carbide Teeth, Hardware

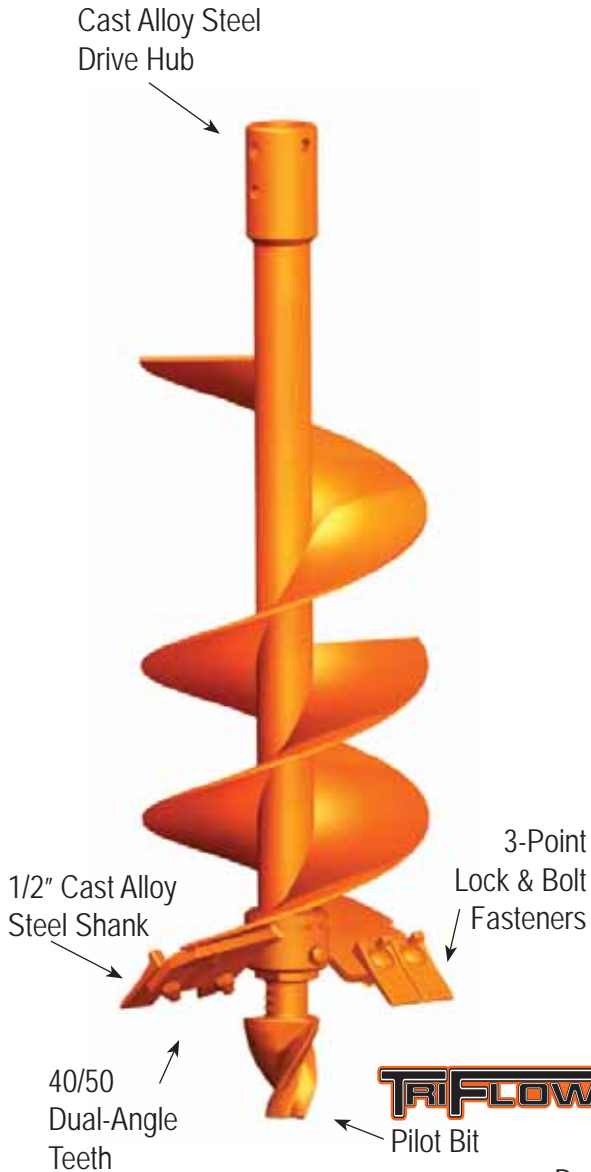
The P21-RR Carbide Tooth has an enlarged shoulder to increase holder protection.



Please note the BoRH is compatible with the Pengo Aggressor only. May not fit on Pengo Aggressors that are 2 years old or older due to wear on parts.

PTO AGGRESSOR®

For Use with 3-Point PTO Post Hole Diggers



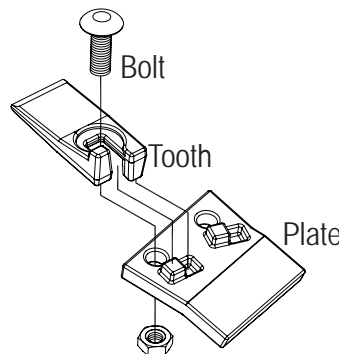
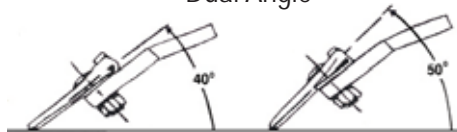
FEATURES

- Teeth: Optimize your drilling efficiency with 40/50 dual angle teeth. Featuring Pengo's Triple Locking System that allows your teeth to stay secured at either the 40° or 50° angle.
- Forge Alloy Steel teeth available in:
 - Standard—Standard drilling
 - Hardface—Abrasive soil/impact
 - Carbide—Rock/Abrasive soil
- Pilot Bit: Triflow®
 - Three, not two, drill points - 50% longer wear!
 - Drive won't break off - Guaranteed 1 year.
 - Better drilling stability.
- Compatibility: Teeth and TriFlow® wear parts
- Lengths: 30", 42" and 48"
- Diameters: 6", 9", 12", 15", 18", and 24"
- Flights: Semi-Double — 3/16" Heliocoid
- 3-Point Lock Lug and Bolt
- Fasteners
- Hubs: 2" Round



Pilot Bit

Dual Angle



PTO AGGRESSOR®

| | 30" Length | 42" Length | 48" Length |
|-----|------------|------------|------------|
| 6" | 137140 | 137151 | 137180 |
| 9" | 137141 | 137152 | 137181 |
| 12" | 137142 | 137153 | 137182 |
| 15" | 137143 | 137154 | 137183 |
| 18" | 137144 | 137155 | 137184 |
| 24" | 137145 | 137156 | 137185 |



AG AGGRESSOR®

*For Use with Mini Skid Steer
and Post Hole Diggers*

FEATURES

- Teeth: Optimize your drilling efficiency with 40/50 dual angle teeth. Featuring Pengo's Triple Locking System that allows your teeth to stay secured at either the 40° or 50° angle.
- Forge Alloy Steel teeth available in:
 - Standard—Standard drilling
 - Hardface—Abrasive soil/impact
 - Carbide—Rock/Abrasive soil
- Pilot Bit: Hardened, Cast Alloy two-flute pilot bit
- Compatibility: Teeth and TriFlow® wear parts
- Lengths: 42" and 48"
- Diameters: 6", 9", and 12"
- Flights: Semi-Double — 3/16" Heliocoid
- 3-Point Lock Lug and Bolt
- Fasteners
- Hubs: 2" Round Safety Hub with hex recesses for connecting hardware

**Exclusive
Pengo Feature!**

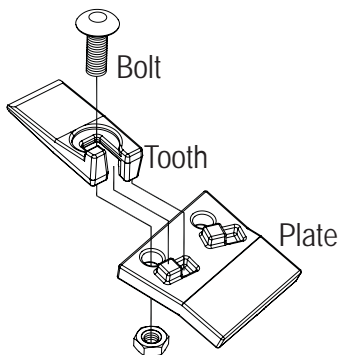
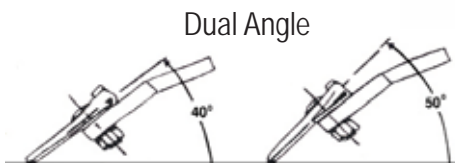
2" Round
Safety Hub



SB-35 S175
Pilot Bit

AG AGGRESSOR®

| | 42" Length | 48" Length |
|-----|------------|------------|
| 6" | 553225 | |
| 9" | 553226 | |
| 12" | 553227 | |
| 15" | | 553228 |
| 18" | | 553229 |
| 24" | | 553230 |



LANDSCAPE AGGRESSOR®

LANDSCAPE AGGRESSOR

For Use with Mini Skid Steer and Mini Loaders



2" HUBS

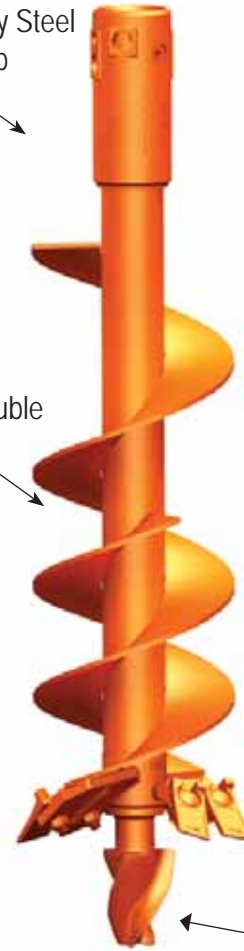
| | 30" Length | 42" Length | 48" Length |
|--------|------------|------------|------------|
| 6" | 138400 | 138000 | 138010 |
| 9" | 138405 | 138001 | 138011 |
| 12" | 138410 | 138002 | 138012 |
| 15" | | 138003 | 138013 |
| 18" | | 138004 | 138014 |
| 24" | | 138005 | 138015 |
| 30" | | 138008 | |
| 36" | | 138009 | |
| 9/24" | | 138006 | 138017 |
| 12/30" | | 138007 | |

2 9/16" HUBS

| | 42" Length |
|--------|------------|
| 6" | 138100 |
| 9" | 138101 |
| 12" | 138102 |
| 15" | 138103 |
| 18" | 138104 |
| 24" | 138105 |
| 30" | 138108 |
| 36" | 138109 |
| 9/24" | 138106 |
| 12/30" | 138007 |

Cast Alloy Steel Drive Hub

Semi-Double Flight



TRIFLOW
Pilot Bit

FEATURES

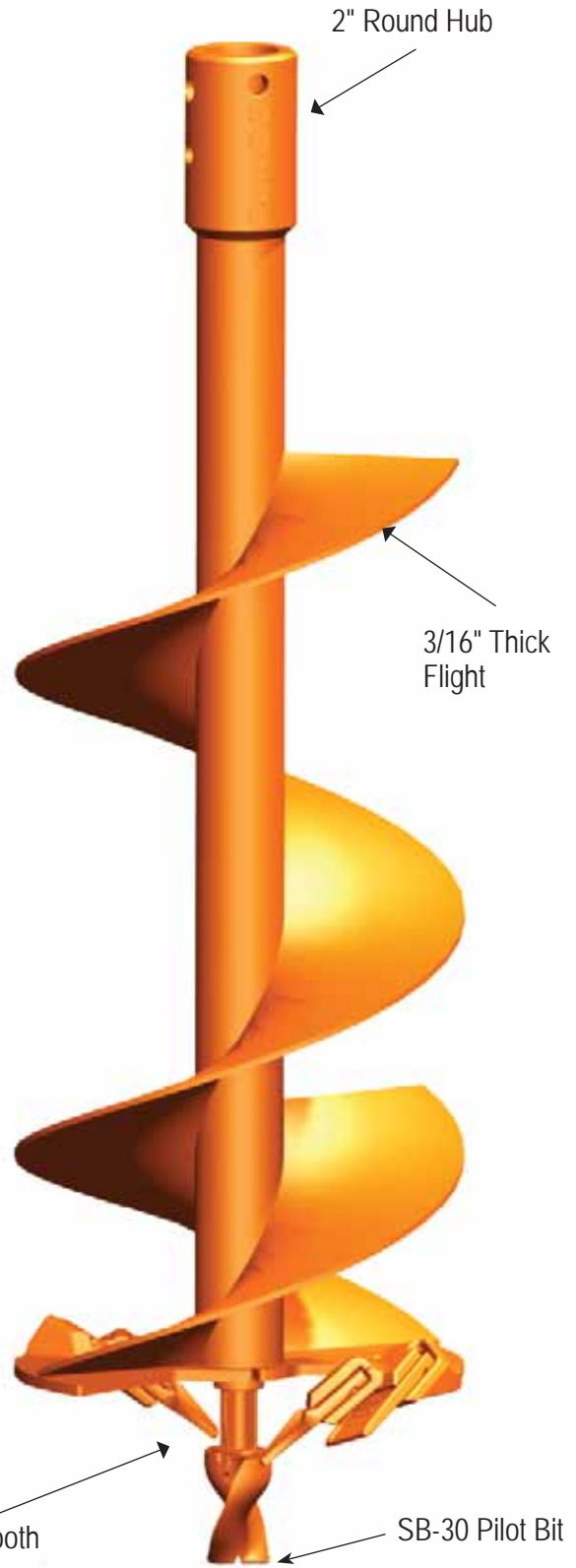
- Teeth: Optimize your drilling efficiency with 40/50 dual angle teeth. Featuring Pengo's Triple Locking System that allows your teeth to stay secured at either the 40° or 50° angle.
- Forge Alloy Steel teeth available in:
 - Standard—Standard drilling
 - Hardface—Abrasive soil/impact
 - Carbide—Rock/Abrasive soil
- Pilot Bit: TriFlow®
 - Three, not two, drill points - 50% longer wear!
 - Drive won't break off - Guaranteed 1 year.
 - Better drilling stability.
- Compatibility: Teeth and TriFlow® wear parts
- Lengths: 30", 42", and 48"
- Flights: Semi-Double — 1/4" Thick
- 3-Point Lock Lug and Bolt
- Fasteners
- Hubs: 2" & 2-9/16" Round (2" Hex available upon request)

AG AUGER

For Use with Post Hole Diggers

FEATURES

- Teeth: 35 Series Fas-N-Lok™ Teeth
- Forge Alloy Steel teeth available in:
 - Standard—Standard drilling
 - Hardface—Abrasive soil/impact
 - Carbide—Rock/Abrasive soil
- Pilot Bit: SB-30
- Compatibility: Teeth and wear parts
- Lengths: 30", 42", and 48"
- Flights: Double - Semi-Double — 3/16" Thick
- Hubs: 2" Round



2" Round HUBS

| | 30" Length | 42" Length | 48" Length |
|-----|------------|------------|------------|
| 6" | 555014 | 555033 | 555001 |
| 9" | 555016 | 555036 | 555004 |
| 12" | 555020 | 555038 | 555006 |
| 16" | 555022 | 555040 | 555007 |
| 18" | 555023 | 555041 | 555008 |
| 24" | 555026 | 555045 | 555011 |

35 Dirt
Fas-N-Lock Tooth

FAS-N-LOK
Patent Pending

**Eliminate the need for
RubR-Lok with Pengo's
New Fas-N-Lok™ Teeth!**



FEATURES

- Teeth: Optimize your drilling efficiency with 35 Series Teeth
- Forge Alloy Steel teeth available in:
 - Standard—Standard drilling
 - Hardface—Abrasive soil/impact
 - Carbide—Rock/Abrasive soil
- Pilot Bit: TriFlow®
 - Three, not two, drill points - 50% longer wear!
 - Drive won't break off - Guaranteed 1 year.
 - Better drilling stability.
- Head: Cast
- Lengths: 42" and 48"
- Flights: Single, Double, Semi-Double – 3/16" Helicoid
- Hubs: 2" Round, 2-9/16" Round, 2" Hex

*For Use With
Post Hole Diggers*

SINGLE FLIGHT

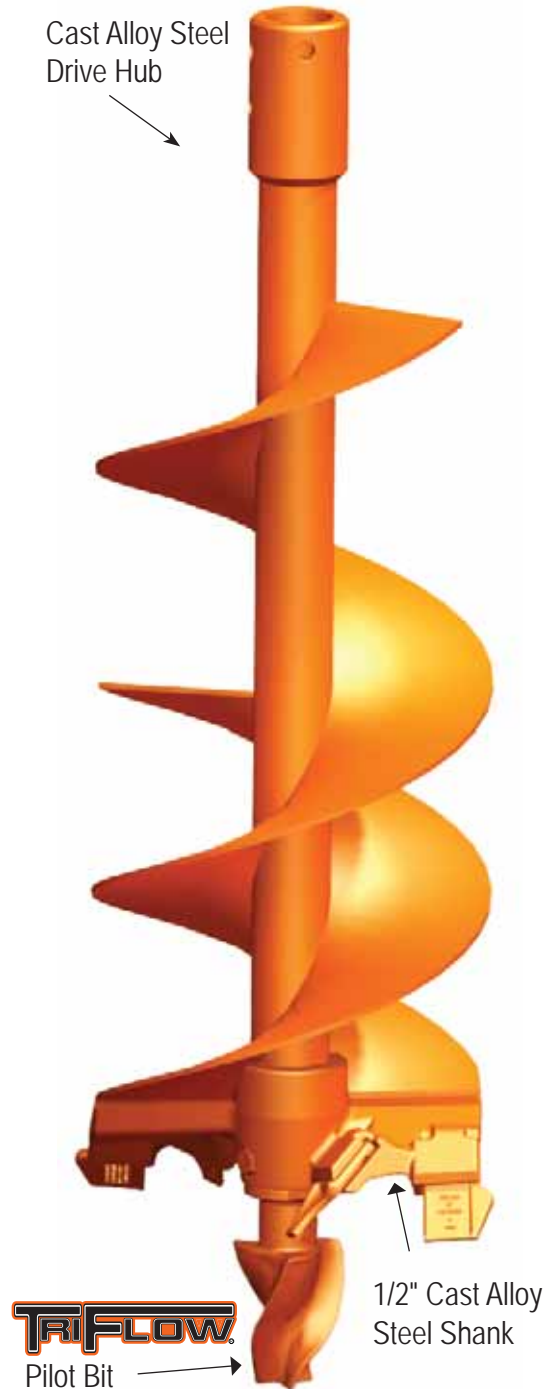
| | 42" Length | 48" Length |
|-----|------------|------------|
| 6" | 553600 | 555050 |
| 8" | 553603 | |
| 9" | 553605 | 555051 |
| 10" | 553607 | 555052 |
| 12" | 553610 | 555053 |
| 14" | 553613 | 555054 |
| 16" | 553628 | 555055 |
| 18" | 553631 | 555056 |
| 24" | 553634 | |

42" SEMI-DOUBLE FLIGHT

| | 2 5/8" Rnd Hub | 2" Hex Hub |
|-----|----------------|------------|
| 6" | 101416 | 101425 |
| 8" | 101417 | 101426 |
| 9" | 101418 | 101427 |
| 10" | 101419 | 101428 |
| 12" | 101420 | 101429 |
| 14" | 101421 | 101430 |
| 16" | 101422 | 101431 |
| 18" | 101423 | 101432 |
| 24" | 101424 | 101433 |

42" DOUBLE FLIGHT

| | 2" Rnd Hub | 2 5/8" Rnd Hub | 2" Hex Hub |
|-----|------------|----------------|------------|
| 6" | 552476 | 101443 | 101451 |
| 9" | 552478 | 101444 | 101452 |
| 10" | 552479 | 101445 | 101453 |
| 12" | 552481 | 101446 | 101454 |
| 14" | 552482 | 101447 | 101455 |
| 16" | 552483 | 101448 | 101456 |
| 18" | 552484 | 101449 | 101457 |
| 24" | 552488 | 101450 | 101458 |



CS AUGERS

Cast Alloy Steel
7/8" Sq. Hub

9-CS Shown



SB-25 Pilot Bit

SB-25 Pilot Bit

For hole digging in favorable to moderate soil conditions with one man hand held auger drive.

FEATURES

- Teeth: Optimize your drilling efficiency with 35 Series Teeth
- Forge Alloy Steel teeth available in:
 - Standard—Standard drilling
 - Hardface—Abrasive soil/impact
 - Carbide—Rock/Abrasive soil
- Pilot Bit: Hardened, Cast Alloy two-flute pilot bit
- Lengths: 36", 42" and 48"
- Flights: Single Flight
- Hubs: 7/8" Sq., 1-1/4" Sq., 1" Round, 1-3/8" Hex, Stihl, Pengo Collar, Little Beaver

36" OAL CS Auger

| | 1" Rnd Hub | 2" Pengo Collar | 7/8" Sq. Hub | 1" Hel. Sngl Flight | 7/8" Hel. Sngl Flight | 1 3/8" Hex Sngl Flight | STIHL Hel. Sngl Flight | 1 1/4 Sq. Sngl Flight | Pengo Collar Single Flight |
|-----|------------|-----------------|--------------|---------------------|-----------------------|------------------------|------------------------|-----------------------|----------------------------|
| 2" | 101368 | 101380 | 553295 | | | | | | |
| 3" | 101369 | 101381 | 553296 | 101615 | | | | | |
| 4" | 101370 | 101382 | 553297 | | 101557 | 101697 | 101599 | | |
| 6" | 101371 | 101383 | 553298 | | | 101618 | 101652 | 101602 | 101663 |
| 7" | 101372 | 101384 | 553299 | | | | | 101538 | |
| 8" | 101373 | 101385 | 553301 | | 101597 | | | 101544 | 101664 |
| 9" | 101374 | 101386 | 101386 | | | | | 101669 | |
| 10" | 101375 | 101387 | 553303 | | 101620 | 101559 | 101727 | | |
| 12" | 101376 | 101388 | 553304 | | | 101546 | 101677 | 101545 | 101665 |
| 14" | 101377 | 101389 | | | 135902 | | | | |
| 16" | 101378 | 101390 | 553306 | | | | | | 101666 |
| 18" | 101379 | 101391 | 553307 | | | | | | |

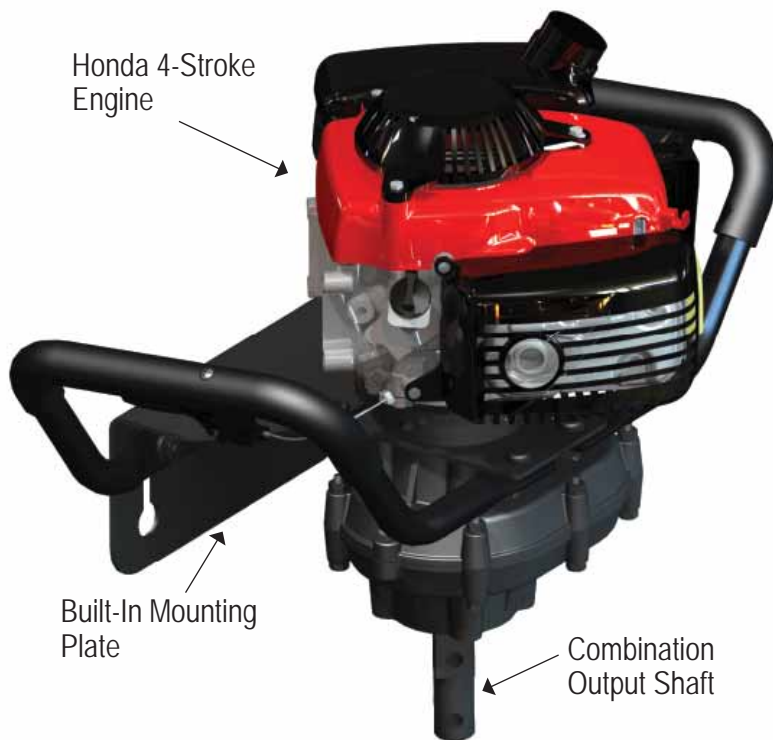
42" OAL CS Auger

| | 1" Rnd Hub | 2" Pengo Collar | 7/8" Sq. Hub | 1" Hel. Sngl Flight | 7/8" Hel. Sngl Flight | 1 3/8" Hex Sngl Flight | STIHL Hel. Sngl Flight | 1 1/4 Sq. Sngl Flight | Pengo Collar Single Flight |
|-----|------------|-----------------|--------------|---------------------|-----------------------|------------------------|------------------------|-----------------------|----------------------------|
| 2" | 101392 | 101404 | 553311 | | | | | | |
| 3" | | 101405 | | | | | | | |
| 4" | 101394 | 101406 | 553313 | | | | | | |
| 6" | | 101407 | 553314 | | | | | | |
| 7" | 101396 | 101408 | 553316 | | | 101629 | 101616 | 101558 | |
| 8" | 101397 | 101409 | 553318 | | 101598 | 101651 | 101642 | | |
| 9" | 101398 | 101410 | 553319 | | | 101701 | | 101692 | |
| 10" | 101399 | 101411 | 553321 | | | 101603 | | 101678 | |
| 12" | 101400 | 101412 | 553323 | | | 101604 | | 101650 | |
| 14" | 101401 | 101413 | | | 134711 | | | | |
| 16" | 101402 | 101414 | 553324 | | | | | | |
| 18" | 101403 | 101415 | 553326 | | | | | | |

48" OAL CS Auger

101684 18" CS Pengo Collar

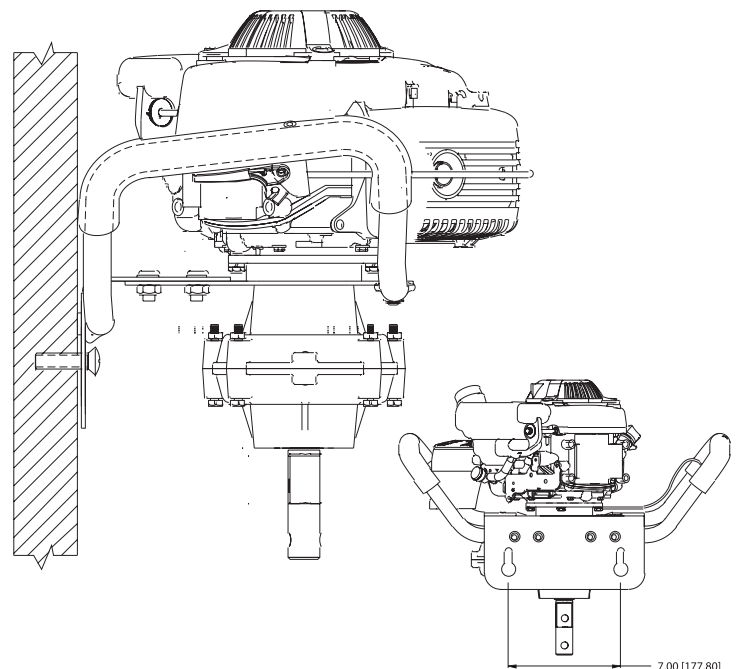
ONE MAN AUGER - OMA-250H



- **Designed for digging vertical holes in a broad range of soil conditions.**
- **Allows you to drill holes for fencing, signs, trees, light construction and home and garden applications.**
- **HONDA 4-Stroke engine and durable gearbox design make the OMA-250H ideal for the rental industry.**

FEATURES

- **HONDA 4-Stroke Engine** The HONDA GXV50 4-Stroke OHV engine offers a rugged reliable source of power for the OMA-250H. When compared with a 2-Stroke engine the 4-Stroke engine significantly lowers emissions, reduces operating noise, and provides quick throttle responses.
- **Ergonomic Handle Design** The handles are designed to reduce fatigue and are padded with a durable, non-slip material that also provides comfort during operation.
- **Compact Design** The compact and balanced design make the OMA-250H easy to operate and transport in limited access or hard-to-reach areas.
- **Auto Stop Trigger** Increases operator control by having the shut-off incorporated into the handle.
- **Throttle** Trigger action spring return provides finger tip speed control.
- **Built-In Mounting Plate** Provides a stable resting area on the job site when not in use. Also allows for space saving storage indoors.
- **Durable Gearbox** Aluminum-alloy cast gearbox is durable, light weight, and helps dissipate heat within the gearbox.
- **Combination Output Shaft** The exclusive 1" square and 1" round combo shaft allow maximum flexibility when selecting an auger bit



OMA - 250H

260088 OMA-250H One Man Earth Auger

HAND HELD AUGERS

Designed for use with Pengo OMA-250H drive unit and other similar one and two-man units!



1" Square Hub



FEATURES

- Lightweight and durable design
- Available in 4", 6", and 8" cut diameters
- 1" square hub
- One piece heat-treated cast auger head
- Easily replaceable - insert, turn, and bolt!
- Only one bolt and nut required
- Auger flight fits securely under tabs

For hole digging in favorable to moderate soil conditions.

Hand Held Earth Augers

| | |
|--------|----------------|
| 137293 | 4" HH-36 Auger |
| 137294 | 6" HH-36 Auger |
| 137295 | 8" HH-36 Auger |

Replacement Heads

| | |
|--------|---------------------|
| 137290 | 4" Replacement Head |
| 137291 | 6" Replacement Head |
| 137292 | 8" Replacement Head |



One Piece Heat Treated Cast Auger Head

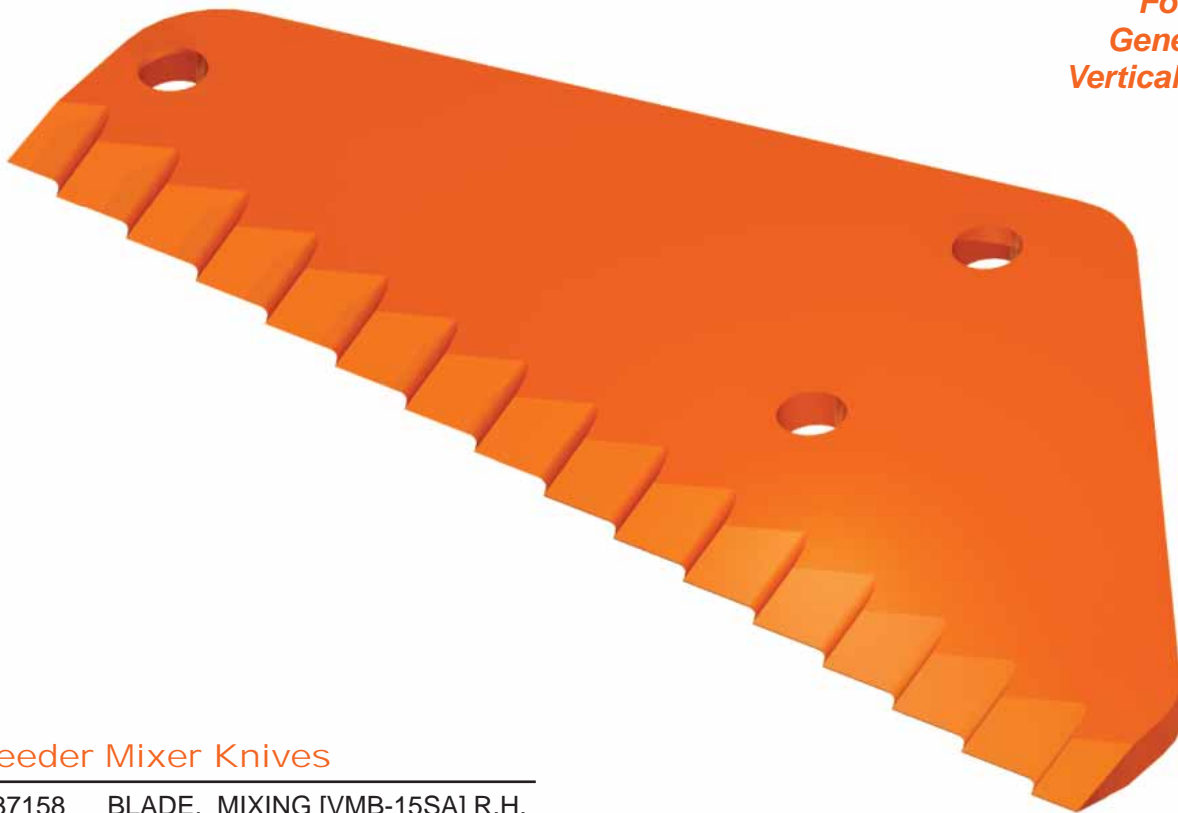
FEEDER MIXER KNIVES

FEATURES

- Knives are made of heat treated high carbon steel with a tungsten carbide, hardfaced serrated cutting edge.



*For Use With
General Purpose
Vertical Mixing Augers*



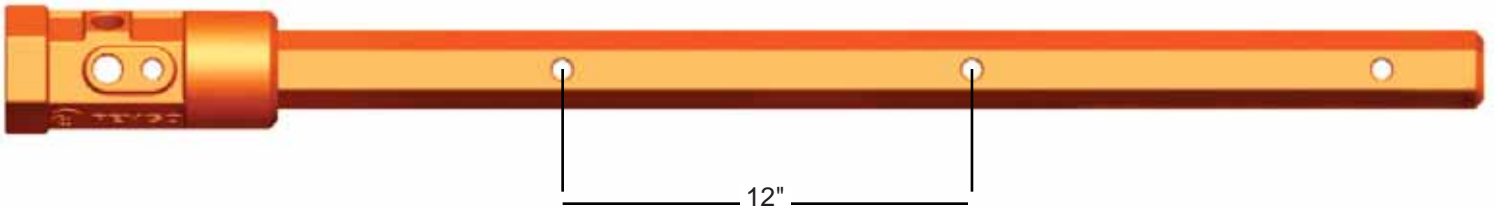
Feeder Mixer Knives

| | |
|--------|-------------------------------|
| 137158 | BLADE, MIXING [VMB-15SA] R.H. |
| 137161 | BLADE, MIXING [VMB-02SA] |
| 137162 | BLADE, MIXING [VMB-03SA] |
| 137160 | BLADE MIXING [VMB-01KB] |
| 137161 | BLADE MIXING [VMB-02SA] |
| 137162 | BLADE MIXING [VMB-03SA] |
| 137163 | BLADE MIXING [VMB-04KG] |
| 137164 | BLADE MIXING [VMB-05KG] |
| 137165 | BLADE MIXING [VMB-06SI] |

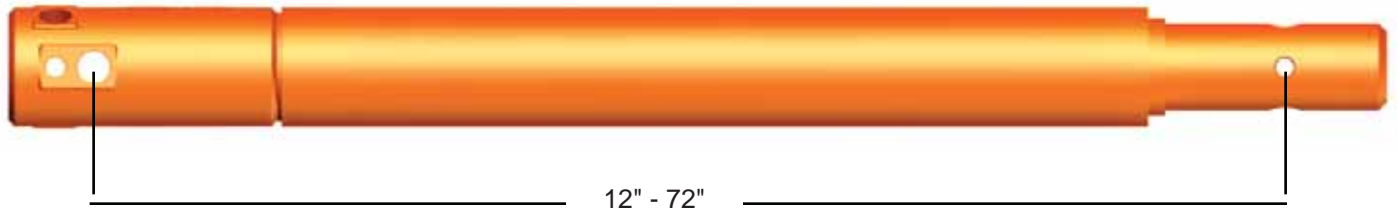
EXTENSIONS

Custom Extensions
Available on Request
[Non-Cancellable & Non-Returnable]

Telescoping Extension



Fixed Extension



2" Hex with Hub & Holes

| | | |
|--------|-----|---------|
| 557142 | 12" | 1 hole |
| 557143 | 24" | 2 holes |
| 557144 | 36" | 3 holes |
| 557145 | 48" | 4 holes |
| 557146 | 60" | 5 holes |
| 557147 | 72" | 6 holes |

2" Round with Hub & Holes

| | |
|--------|-----|
| 557176 | 12" |
| 557178 | 24" |
| 557174 | 36" |
| 557179 | 48" |
| 557177 | 72" |

2-9/16" Round with Hub & Holes

| | |
|--------|-----|
| 134203 | 12" |
| 134204 | 24" |
| 134205 | 36" |
| 134206 | 48" |
| 134207 | 60" |
| 134208 | 72" |

REPLACEMENT PARTS

Teeth

| | | Aggressor® | BoRH™ | PTO Aggressor® | AG Aggressor® | Landscape Aggressor® | Ag Max Auger | CS Augers |
|--------|-------------------------|------------|-------|----------------|---------------|----------------------|--------------|-----------|
| 134501 | 40/50 Dirt | • | | • | • | • | | |
| 134802 | 40/50HFF Hardfaced | • | | • | • | • | | |
| 134519 | 40/50C Carbide | • | | • | • | • | | |
| 133835 | Fas-N-Lok™ 35 Dirt | | | | | | • | • |
| 132470 | 35 Dirt | | | | | | • | • |
| 140027 | Fas-N-Lok™ 37 Gage | | | | | | • | • |
| 132478 | 37 Dirt Gage | | | | | | • | • |
| 132480 | 37HF Hardfaced Gage | | | | | | • | • |
| 132845 | 35HF Hardfaced 1 side | | | | | | • | • |
| 132847 | 35HFF Hardfaced 2 sides | | | | | | • | • |
| 132477 | 35C Carbide | | | | | | • | • |
| 135837 | 1336L Carbide | | | | | | • | • |
| 140027 | Fas-N-Lok™ 5T30 Chisel | | | | | | • | • |
| 132471 | 5T30 Dirt Chisel | | | | | | • | • |
| 132846 | 5T30HF Hardfaced chisel | | | | | | • | • |
| 132476 | 5T30C Carbide Chisel | | | | | | • | • |
| 170056 | RB36L Carbide | | | | | | • | • |
| 137990 | P21-RR Carbide | | • | | | | | |

Pilot Bits

| | | Aggressor® | BoRH™ | PTO Aggressor® | AG Aggressor® | Landscape Aggressor® | Ag Max Auger | CS Augers |
|--------|-----------------------|------------|-------|----------------|---------------|----------------------|--------------|-----------|
| 135088 | TF350 Dirt | • | | • | | • | • | |
| 135089 | TF350HF Hardfaced | • | | • | | • | • | |
| 135090 | TF350C Carbide Tipped | • | | • | | • | • | |
| 135091 | TF350CXC Carbide | • | | • | | • | • | |
| 135092 | TF350HFTC HF/Carbide | • | | • | | • | • | |
| 131740 | SB-25 Dirt | | | | | | | • |
| 132266 | SB-25HF Hardfaced | | | | | | | • |
| 132135 | SB-25C Carbide Tipped | | | | | | | • |
| 132758 | SB-25CXC Carbide | | | | | | | • |
| 132590 | SB-25HFTC HF/Carbide | | | | | | | • |
| 151318 | SB-35 S175 | | | | • | | | |



Fas-N-Lok™
35 Dirt Tooth

Eliminate the need for
RubR-Lok with Pengo's
New Fas-N-Lok™ Teeth!

FAS-N-LOK
Patent Pending



TF-350



SB-35 S175

Pengo Limited Warranty

Products manufactured by Pengo wear and are expendable in their function. Wear and tear and occasional breakage must, therefore, be expected.

Pengo products are warranted from defects in material and workmanship for a period of Sixty (60) Days from the date of invoice. Pengo will either replace or credit the defective part at its option. Any labor and/or material required to remove or install parts is excluded under this Limited Warranty. Products that have been misused, misapplied, hardfaced, improperly welded, or otherwise installed contrary to instructions and specifications are not covered by this Limited Warranty.


Pengo reserves the right to make design, specification and prices changes without notice and obligations to the affect of such changes.

Pengo makes no other warranty. All other warranties, whether express, implied or statutory, such as warranties of merchantability of fitness for a particular purpose, are hereby excluded and disclaimed to the extent that they exceed the warranties expressly granted in this limited warranty. In no event shall Pengo be liable for consequential or incidental damages. Whether direct or indirect, claimed by the customer and/or any third parties.

Returns and Claims

1. Pengo reserves the right to determine whether products claimed to be defective shall be inspected by our personnel in the field or returned to the factory. If judged by Pengo to be defective in material or workmanship, the product will be replaced or a credit issued at the option of Pengo.
2. Upon notification of defect, Pengo's Inside Sales Department will issue a Return Goods Authorization number (RGA). All returns for replacement or credit MUST be accompanied by a RGA number. Products returned without a RGA number will be rejected and returned to the sender freight collect.
3. All returns must be shipped "prepaid". Products shipped "collect" will be refused. Proof of purchase such as invoice number must accompany returns.
4. Slow moving dealer inventory may be returned once per calendar year. The net value cannot exceed 5% of the previous year's purchases. A 20% re-stocking charge will apply to the net value of returned products. All returns must be of current manufacture and in un-used condition. Rusty or custom painted products will not be accepted for return.





Unmatched quality. Unsurpassed ingenuity.
Uncompromising service. They're not just hallmarks
of the Paladin family of brands. They're what
make us one of the most trusted names in the
North American construction industry.

FIVE TEAMS.
THIRTEEN BRANDS.
THOUSANDS
OF PRODUCTS.
ONE GREAT
COMPANY.



PALADIN

POWERFUL CONSTRUCTION ATTACHMENTS



PALADIN UTILITY

For complete details
and specifications contact:

Pengo
500 East Highway 10
Laurens, IA 50554
PH: (800)599-0211
FX: (712)845-2497
www.paladinbrands.com
pengosales@paladinbrands.com