

# Lifting Beams - Special Application Evaluation

## LOAD INFORMATION

Please specify the model number of the design you are requesting \_\_\_\_\_

Briefly describe load \_\_\_\_\_

Maximum Weight \_\_\_\_\_

Number of pickup points \_\_\_\_\_

Distance between (spacing) pickup points \_\_\_\_\_

Is load center of gravity centered between outer pick points  Yes  No

If no, specify location in reference to pick points (attach a diagram if necessary) \_\_\_\_\_

What type of attachment to the load do you need?

Shackles  Swivel Hooks  Lifting Slings  Other (specify) \_\_\_\_\_

Describe specific requirements \_\_\_\_\_

## CRANE INFORMATION

Approximate distance between load and crane \_\_\_\_\_

### Single crane hoist information

Capacity \_\_\_\_\_

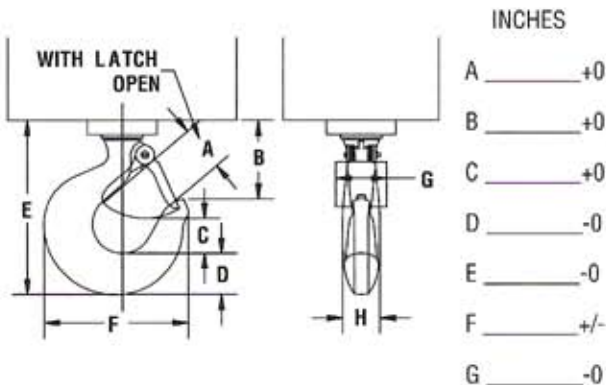
### Dual crane hoist information

Distance Between \_\_\_\_\_

Same capacity  Yes  No

If no, specify capacities \_\_\_\_\_

### Crane Hook Data:



#### Measurement Tolerances

- +0 = Measurement should be no larger but can be smaller than actual.
- 0 = Measurement should be no smaller but can be larger than actual
- +/- = Measurement can be larger or smaller than actual.

Contact: \_\_\_\_\_

Company: \_\_\_\_\_

Address: \_\_\_\_\_

City, State, Zip: \_\_\_\_\_

Phone: \_\_\_\_\_ Fax: \_\_\_\_\_

For a price quote on your specific application, please complete the above application guide and fax to **805-647-6914**

LIFTING BEAMS