

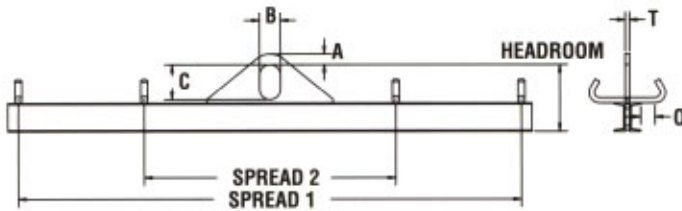
Economy Lifting Beams

Model 18 - Fixed Twin Basket Sling Lifting Beam



PRODUCT FEATURES:

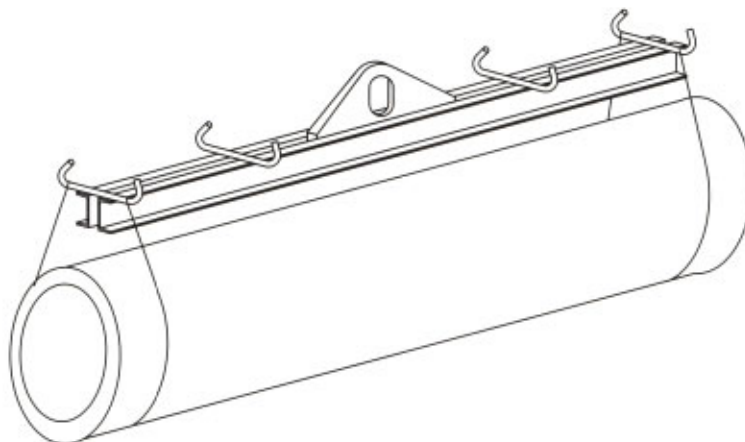
- Designed to be used with slings in a basket hitch.
- Provides greatest clearance in low headroom applications.
- Two sets of bent bar hooks are standard on units with a spread of 6' and greater (one set for 3' and 4').
- Spread 2 is 1/2 of spread 1.
- Horns are designed to handle up to a 2" sling eye width.
- Designed and manufactured to ASME B30.20.



SPECIFICATIONS

Capacity (tons)	Model Number Headroom (in.) Weight (lbs.)	Spread In Feet						Other Dimensions (in.)
		3	4	6	8	10	12	
1/2	Model Number	18-1/2-3	18-1/2-4	18-1/2-6	18-1/2-8	18-1/2-10	18-1/2-12	A=7/8 T=3/4
	Headroom	8-1/2	8-1/2	8-1/2	8-1/2	8-1/2	9-1/2	B=3 O=2
	Weight	40	48	78	95	113	171	C=5
1	Model Number	18-1-3	18-1-4	18-1-6	18-1-8	18-1-10	18-1-12	A=7/8 T=3/4
	Headroom	8-1/2	8-1/2	9-1/2	10-1/2	10-1/2	11-1/2	B=3 O=2
	Weight	40	48	93	136	175	239	C=5
2	Model Number	18-2-3	18-2-4	18-2-6	18-2-8	18-2-10	18-2-12	A=7/8 T=3/4
	Headroom	9-1/2	10-1/2	10-1/2	11-1/2	12-1/2	13-1/2	B=3 O=2
	Weight	52	75	139	169	246	326	C=5
5	Model Number	18-5-3	18-5-4	18-5-6	18-5-8	18-5-10	18-5-12	A=2 T=1-1/4
	Headroom	13-1/2	14-1/2	15-1/2	16-1/2	17-1/2	19-1/2	B=4 O=2
	Weight	104	135	211	310	423	618	C=7
7 1/2	Model Number	18-7 1/2-3	18-7 1/2-4	18-7 1/2-6	18-7 1/2-8			A=2 T=1-1/4
	Headroom	12	14	15	17			B=4 O=2
	Weight	125	185	315	475			C=7

Operation



LIFTING BEAMS